

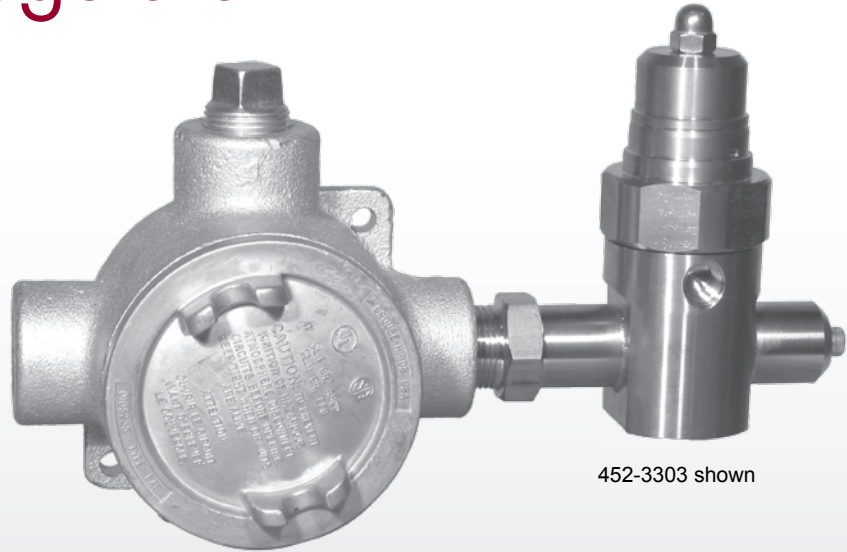
452 Series Regulator

Vaporizing Regulator

316L Stainless Steel

Single Stage

The 452 Series electrically-heated vaporizing regulator is designed to heat and vaporize an inlet gas stream containing heavy hydrocarbons so that they will remain in the vapor state for chromatographic analysis. The entire system is explosion-proof for safety. Three temperature ranges, three heater wattages, and six outlet pressure ranges allow the 452 Series regulators to meet the needs of diverse applications.



452-3303 shown

Features

- 316L stainless steel barstock body
Increased corrosion resistance
- Pressure ranges 0 - 15 to 0 - 500 PSIG
Wide variety of applications
- Metal to metal seals
No possibility of gas contamination
- Capsule® Seat
Increased serviceability and life
- Internal heat exchanger
Improved heat transfer
- Adjustable thermistor controller
Close control of gas temperature

400 Series Advantage

- Metal-to-metal diaphragm seal
No possibility of gas contamination
- Capsule® seat
Increased serviceability and life
- Low wetted surface area
Minimal purge requirements
- Thermistor controller
Easily adjustable temperature limit
- Explosion-proof enclosure
Class 1, Division 1,
Group A, B, C & D
- Third-party conformity certification
CAN/CSA E60079-0 and
E60079-1, UL 1203,
ATEX 13688

Materials

- Body
316L stainless steel barstock
- Bonnet
Stainless steel barstock
- Seat
Arlon® (PEEK)
- Diaphragm
316L stainless steel
- Heat Exchanger
316L stainless steel
- Explosion-proof Enclosure
Iron alloy/Aluminum
- Heater Wattage
50, 100 or 150 watts
- Filter
10 Micron patented multi layer
stainless steel mesh

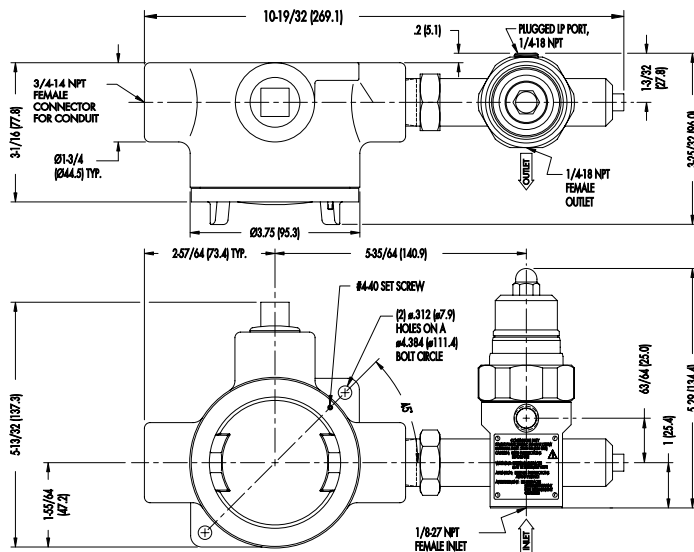
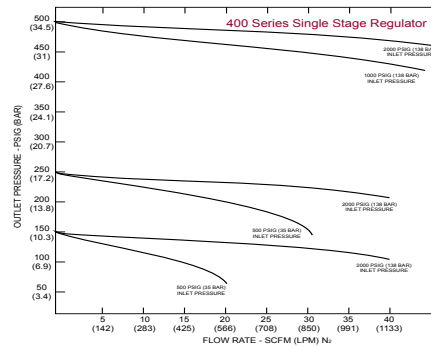
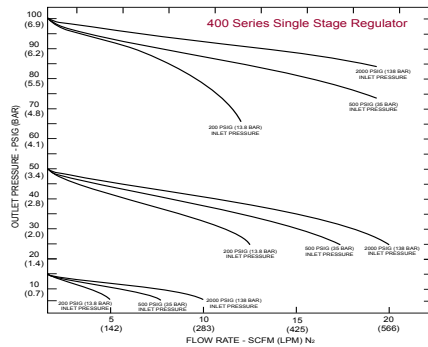
Specifications

- Maximum Inlet Pressure
3000 PSIG (210 BAR)
- Temperature Range
77°F to 180°F (25°C to 82°C)
160°F to 280°F (71°C to 138°C)
250°F to 380°F (121°C to 193°C)
- Maximum Flow (100 PSIG)
600 SCFH (283 LPM)
- Inlet Connection
1/8" FPT
- Outlet Connection
1/4" FPT
- Helium Leak Integrity
1 x 10⁻⁹ scc/sec
- Weight (452-3301)
6 lbs. (2.7 kg)

400 Series Regulators



Technical Information



Ordering Information

452	A	B	C	D	-Inlet
Series 452	Max Delivery Pressure	Heater Wattage	Outlet Connection	Temperature Range/ Voltage	Connections
	1: 15 PSIG	1: 50 Watts	0: ¼" FPT	1: 77° - 180° F/120 VAC	000: ¼" FPT
	2: 50 PSIG	2: 100 Watts	1: ⅜" Tube Fitting	2: 160° - 280° F/120 VAC	TF2: ⅜" Tube
	3: 100 PSIG	3: 150 Watts	2: ¼" Tube Fitting	3: 250° - 380° F/120 VAC*	TF4: ¼" Tube
	4: 250 PSIG		3: ⅝" Tube	4: 77° - 180° F/220 VAC	TF6: ⅝" Tube
	5: 500 PSIG		M: 6mm Tube Fitting	5: 160° - 280° F/220 VAC	M06: 6mm Tube
	7: 150 PSIG			6: 250° - 380° F/220 VAC*	

*Not available with 50 Watt heater