



500 Series Distribution Systems

530 Series Switchover

The 530 Series Switchover is an automatic switchover system designed to deliver a continuous supply of high pressure non-corrosive, non-oxidizing gas at flows up to 4000 SCFH. The system comes either with flexible pigtailed for use with one or two cylinders per side, or with 1/4" Female NPT connection. A standard shut-off valve isolates the depleted bank during cylinder change. A line regulator is also standard to control downstream pressure regardless of bank priority. An alarm system is available to notify the user when a bank is depleted.



530-1112 shown

Ask About Our

EXTENDED
WARRANTY

On This CONCOA Product

Features

- 492 Series brass barstock regulators
Safely controls inlet pressures to 6000 PSIG
- User-Friendly
One knob switches cylinder priority
- Check valves in pigtail inlet glands
Prevents contamination and back flow
- Line Regulator
Stable line pressure up to 3500 psig during change over
- Capsule® Seat
Increased serviceability and life
- Optional Remote Alarm

Materials

- Bodies*
Chrome-plated brass barstock
- Cartridges*
Brass Barstock
- Seats*
Arlon® (PEEK) Switchover Regulator
PTFE Line Regulator
- Filters*
10 micron sintered bronze
- Internal Seals*
Viton®
- Weight*
22.5 lbs. (10.2 kg)

Specifications

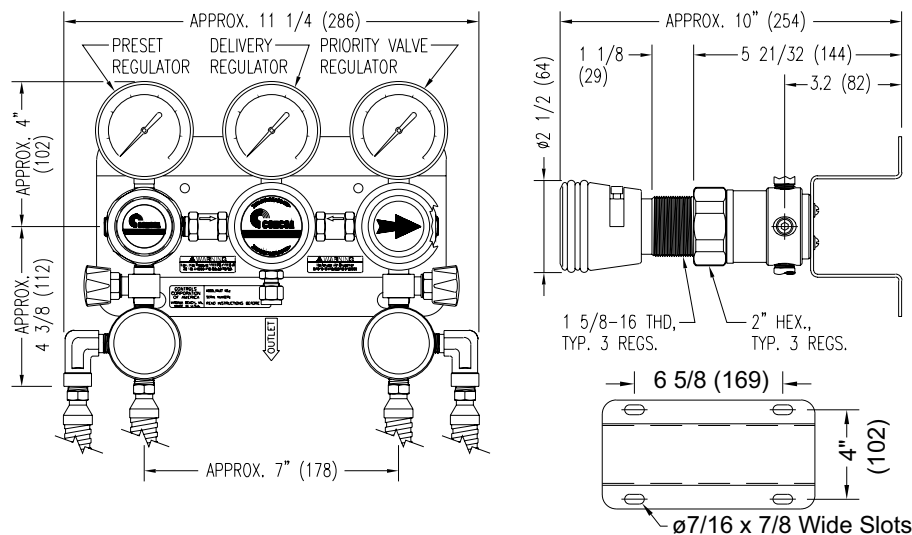
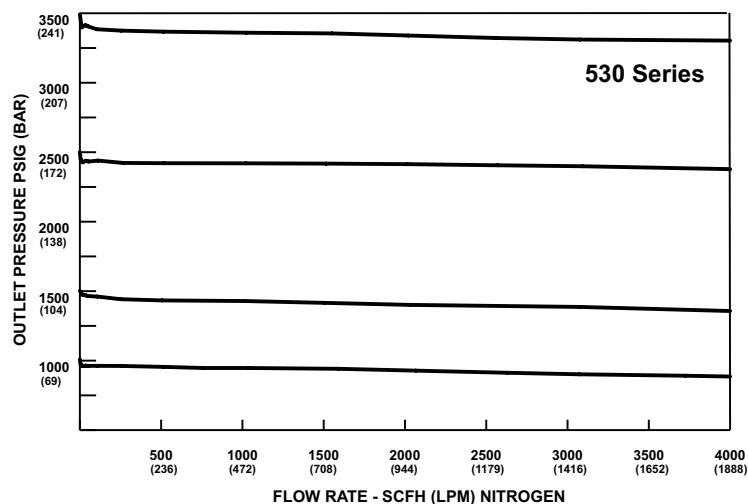
- Inlet Pressures Available*
3000 PSIG (207 BAR)
4500 PSIG (310 BAR)
6000 PSIG (414 BAR)
- Temperature Range*
-40°F to 140°F (-40°C to 60°C)
- Gauges*
2½" diameter chrome-plated brass (non-pressure switch models)
2½" diameter stainless steel (pressure switch models)
- Outlet Connection*
1/4" tube fitting
- Cv*
0.1

Not for O₂, N₂O, or CO₂

500 Series Distribution Systems



Flow Performance Curves



Ordering Information

530	A	B	C	D	-CON
Series 530	Delivery Pressure	Inlet Pressure (Inlet Gauges)	Inlet Connection	Assembly/Gauges	Pigtail
	1: 1000 PSIG	1: 3000 PSIG (4000 PSIG/280 BAR)	0: 1/4" FPT Port	2: PSIG/BAR Gauges No alarm capability	Please specify inlet connection (if applicable)
	2: 1500 PSIG	2: 4500 PSIG (6000 PSIG/414 BAR)	1: Two Diaphragm Valves with Two 36" Flexible Pigtails (One Station per Side)	3: PSIG/BAR Gauges with Pressure Switches† and 110V Remote Alarm	CGA DIN 477 BS 341 and others available
	3: 2500 PSIG	3: 6000 PSIG (10,000 PSIG/700 BAR)	2: Two Diaphragm Valves with Four 36" Flexible Pigtails (Two Stations per Side)	4: PSIG/BAR Gauges with Pressure Switches† and 220V Remote Alarm	
	4: 3500 PSIG		3: Manifold Connectors (3000 psig inlet only)*	†Intrinsic safety barriers are required for flammable gas service or for use in hazardous environments.	Not for use in O ₂ , CO ₂ or N ₂ O.

* See pages 32 and 33 for manifold ordering information