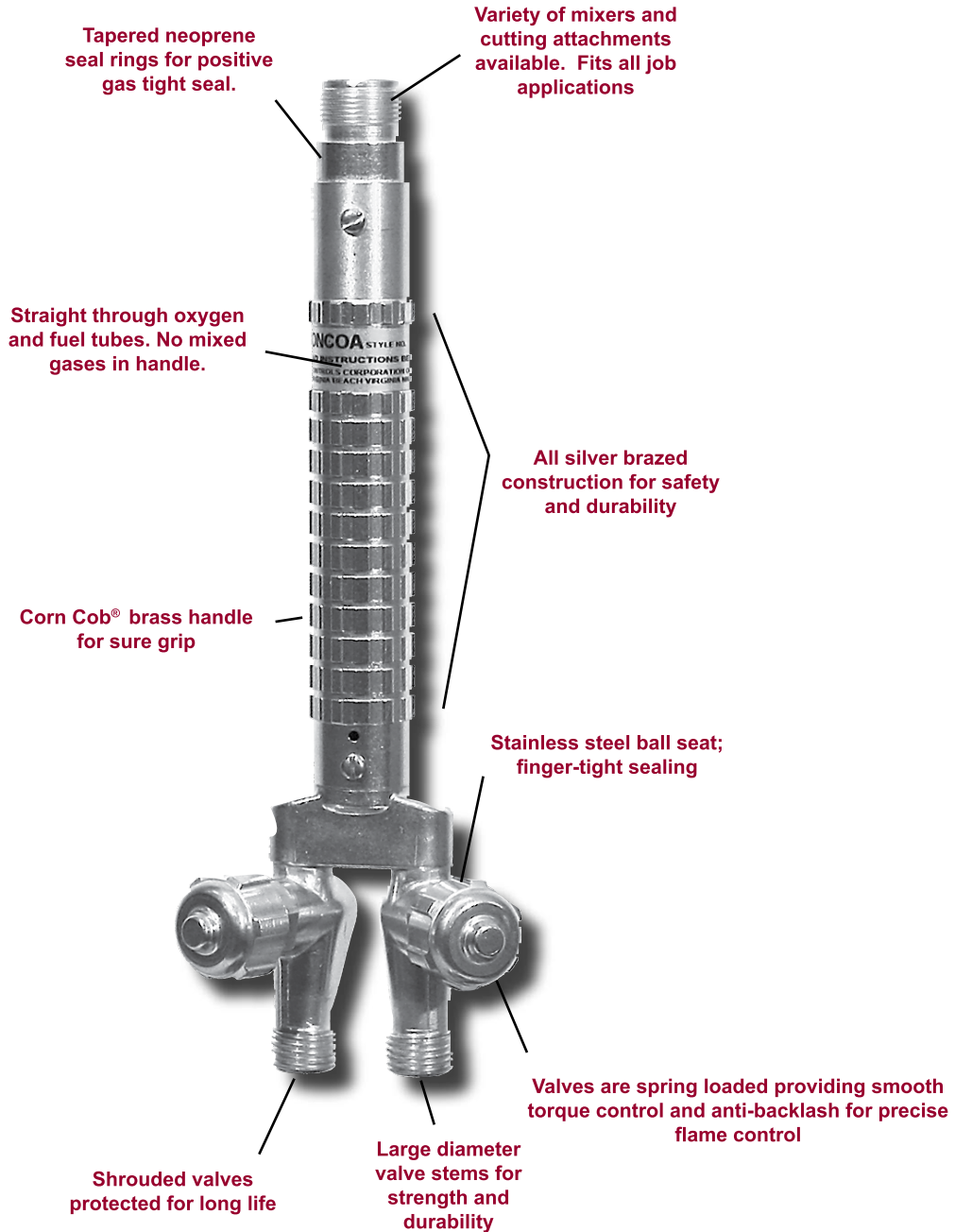




Cutting Handles

750 Torch Handle & Attachments



818-0750 Shown

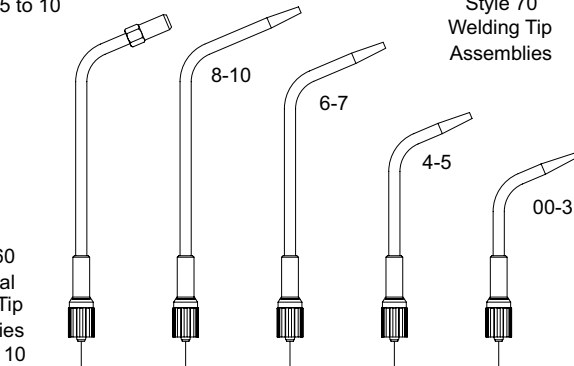
Cutting Handles



Style 761
Replacement Heads
Size 5 to 10

Style 70
Welding Tip
Assemblies

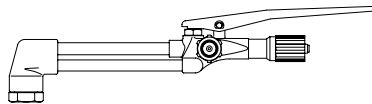
Style 760
Universal
Heating Tip
Assemblies
Size 5 to 10



Style 750 Torch

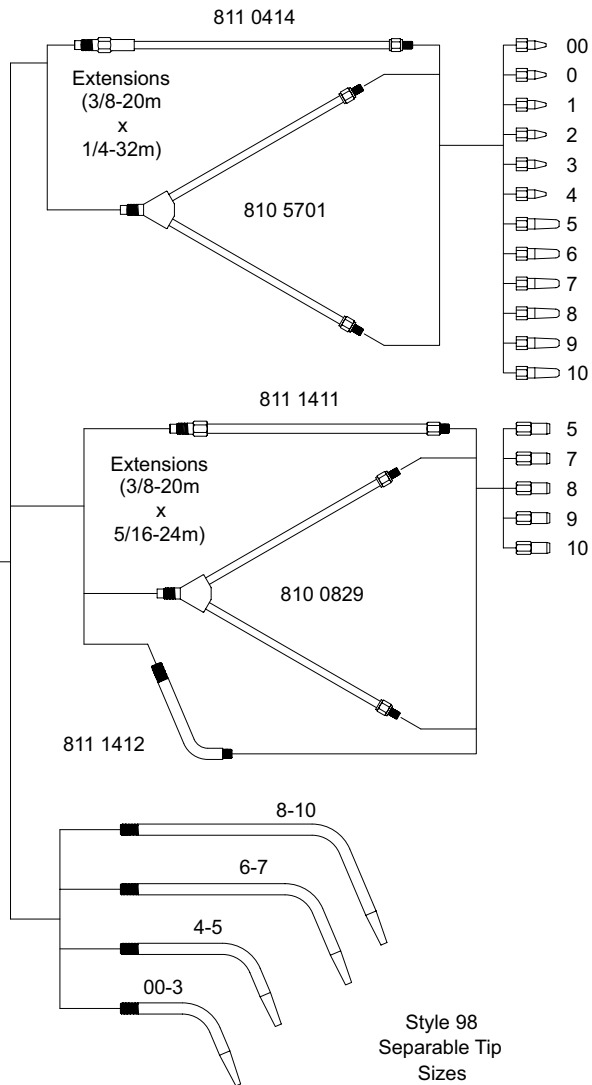


Style 4700 & 5700
Cutting Attachment



All 3/4" 3 Land
Cutting Tips
For All Fuels

Mixer
810 0781
Size 1 to 10
(3/8-20F)
Mixer
810 0780
Size 00 to 5
(3/8-20F)



Style 9
Welding
Tips
Sizes
00-10
(1/4-32F)

Style 759
Multi-Flame
Heating Tips
Sizes
5-10
(5/16-24F)

Style 98
Separable Tip
Sizes
00-10
(3/8-20m)

Attachments
& Handles