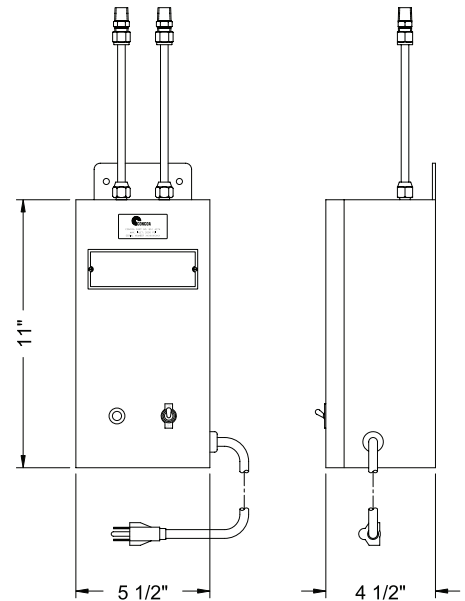


Manifold Heater Advanced Features

- 1000 Watt Manifold Heater
- Thermostatically Controlled
- Insulated Cabinet Remains Cool
- 2000/4600 PSIG Maximum Working Pressure
- 1000 CFH Gas at 0°F
- 22 lbs./hr Vaporization with Initial Liquid at 0°F
- 11 lbs.
- Includes 6' Electrical Cord

851-4274 Shown

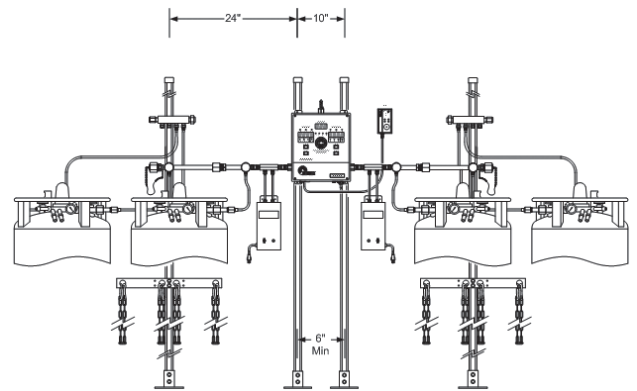


Ordering Information

Stock Number	Material	Max Inlet	Description
851-4274	Copper	2000 psi	120 Volts (8.3amps) 1000 Watt heater with 1/2" M-NPT manifold connector
851-4275	Copper	2000 psi	240 Volts (4.2 amps) 1000 Watt heater with 1/2" M-NPT manifold connector
851-4278	Stainless Steel	4600 psi	120 Volts (8.3 amps) 1000 Watt heater with 1/2" M-NPT manifold connector
851-4280	Stainless Steel	4600 psi	240 Volts (4.2 amps) 1000 Watt heater with 1/2" M-NPT manifold connector

Manifold Floor Stands

CONCOA floor stands provide a convenient method to mount switchovers and manifolds where a permanent structure is unavailable. Each model comes with the necessary hardware to safely secure cylinders that otherwise are unable to support themselves. Models 518-1625 and 518-1725 offer a unique header plate to mount single cylinder per side switchover configurations.



Ordering Information

Part No.	Description	Dimensions (LxWxH)
518-1625	Single Switchover Floor Stand with Storage for Two 12" Cylinders	28" x 12" x 72"
518-1725	Multiple Switchover Floor Stand with Storage for Six 12" Cylinders	24" x 48" x 72"
830-7437	Manifold Extension Floor Stand Designed to Provide Support Every 24" from a Pressure Control Device	Base 6" x 6", Height 84"
830-7439	Switchover Floor Stand Designed to Provide Support with Dual Vertical Posts	Base 12" x 12" minimum, Height 84"

Materials and Specifications

- **Materials of Construction**
Plated steel
- **Dimensions (830-7437)**
12" x 12" (base)
7' (height)
- **Dimensions (830-7439)**
12" x 24" (base)
7' (height)