

# 536 Series AutoSwitch GL

*Automatic  
Switchover System*

*Liquid Primary  
with High Pressure  
Reserve*

*Brass Components*



536-3004 shown

The 536 Series AutoSwitch GL is a continuous gas delivery system for high purity gas service that automatically changes cylinder or bank priority from a cryogenic source to a reserve bank of high pressure cylinders without transmitting pressure fluctuations to the use line.

## Advanced Features

- *Integral Line Regulator*  
Stable line pressure during change over
- *400 Series Brass System Components*  
Capsule® seat
- *Metal to metal seals*  
No possibility of gas contamination
- *Variable Line Pressure*  
Line pressure changeable on site
- *Preset Switching Pressure*  
Prevents tampering or adjustment
- *Integral Manifold System*  
Easy installation

## Remote Alarm

Providing audible and visible notification of cylinder depletion, one Advantium 8 remote alarm can monitor and power up to four switchover stations.

### *Intrinsic Safety Barriers*

Safe use with flammable gases or in hazardous areas (class 1, division 1, group A, B, C or D)

### *Relay Output*

Easy integration with other alarm systems

### *Telephone Dialer*

Notify multiple off-site locations of the need to change depleted cylinders

### *Computer Interface*

Serial communication through RS-232 port

## Materials

### *Priority Valve*

Brass barstock

### *Line Regulator*

Brass barstock

### *Diaphragms*

316L stainless steel

### *Enclosure*

Acrylic powder-coated steel

### *Tubing and Fittings*

316 stainless steel

### *Internal Seats and Seals*

PTFE

### *Pressure Gauges and Switches*

Brass, bronze and stainless steel

### *Check Valves*

Brass with Viton® seals

## Specifications

### *Maximum Inlet Pressure*

3000 PSIG (210 BAR)

### *Temperature Range*

-40°F to 140°F (-40°C to 60°C)

### *Maximum Flow (100 PSIG)*

600 scfh (283 lpm)

### *Inlet Connection*

½" FPT

### *Outlet Connection*

¼" stainless steel compression tube

### *Helium Leak Integrity*

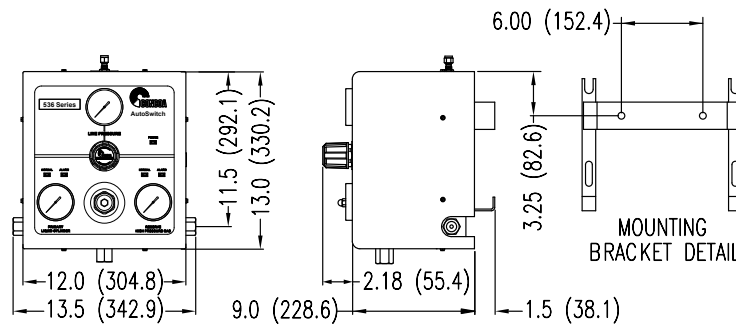
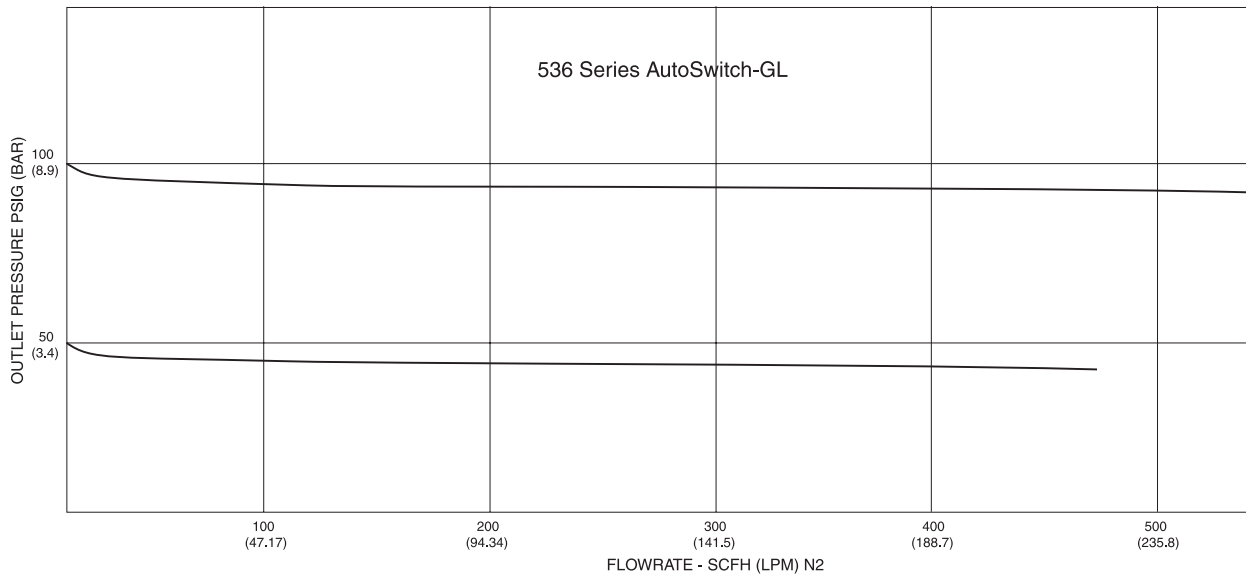
1 x 10<sup>-8</sup> scc/sec

### *Weight*

40 lbs. (18 kg)

See page 26 for manifold specifications

# Flow Performance Curves



## Ordering Information *(For information about how to use this table please see page 4.)*

536	A	B	C	D	-CON
Series 536	Outlet Pressure 2: 0-50 PSIG 3: 0-100 PSIG	Liquid Cylinders (Primary) 0: No Inlet Connection 1: One Cylinder* 2: Two Cylinders† 3: Three Cylinders† 4: Four Cylinders†  * Includes 36" flexible pigtail and diaphragm valve  † Each manifold header includes 36" flexible pigtail, manifold extensions and mounting hardware	High Pressure (Reserve) 0: No Inlet Connection 1: One Cylinder* 2: Two Cylinders† 3: Three Cylinders† 4: Four Cylinders† 5: Five Cylinders† 6: Six Cylinders†  * Includes 24" flexible pigtail and diaphragm valve  † Each manifold header includes 24" flexible pigtail, manifold extensions and mounting hardware	Assembly 1: Without Alarm Capability 4: With Alarm Capability* (Alarm Sold Separately)  *Intrinsic safety barriers are required for flammable gas service or for use in hazardous environments.	Pigtail Please specify inlet connection (if applicable).  CGA DIN 477 BS 341 and others available
Related Options	See Pages 24 and 25 for Alarm Options				