



100 Series Regulators

109 Series Regulator

Dual Stage

Forged Brass Body

Five-Port Configuration

PTFE-Lined Neoprene Diaphragm

The 109 Series regulators are intended for pressure control of general purpose laboratory gases with applications requiring constant pressure control and delivery regardless of supply pressure variations.



109-7505 shown

Advanced Features

- Forged brass body
Economical high purity design
- Pressure ranges 0-15 to 0-200 PSIG
Broad range of applications
- 10 micron filtration in both stages
Fail-safe seat performance

Typical Applications

- Purging
- Pressure testing
- Blanketing
- Chamber pressurization

100 Series Advantage

- Capsule® seat
Increased serviceability and life
- Teflon®-lined Neoprene diaphragm
Sensitive to downstream conditions
- Forged body
Durable, long-lasting construction
- Field-adjustable pressure limit
Safeguard downstream equipment
- Integral relief valve
Diaphragm and gauge protection
- High flow capacity
Supply multiple user locations

Materials

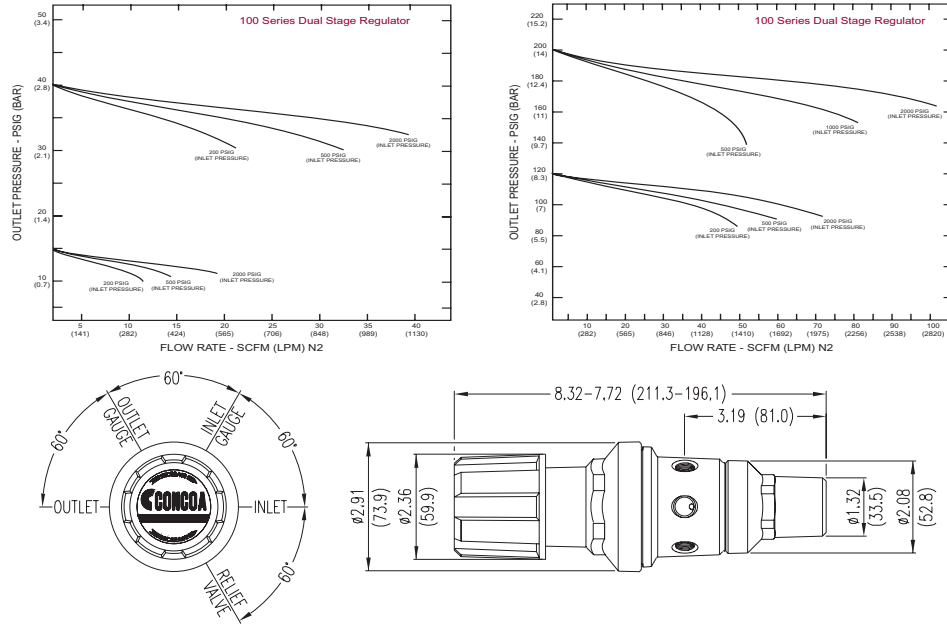
- Body
Forged brass
- Bonnet
Brass-plated die cast zinc
- Seat
PTFE
- Filter
10 micron sintered bronze
- Diaphragm
PTFE-lined Neoprene
- Internal Seals
PTFE

Specifications

- Maximum Inlet Pressure
3000 PSIG (210 BAR)
- Temperature Range
-40°F to 140°F (-40°C to 60°C)
- Gauges
2 1/2" diameter brass
- Ports
1/4" FPT
- Cv
0.28
- Weight (109-7513-580)
4.69 lbs. (2.13 kg)

100 Series Regulators

Technical Information



Ordering Information

Stock No. (109 Series Single Stage)	Outlet Pressure	Outlet Gauge	Inlet Gauge	Outlet Assembly
109-7501-CGA	0-15 PSIG	0-30 PSIG	0-4000 PSIG	¼" Tube Fitting
109-7502-CGA	0-15 PSIG	0-30 PSIG	0-4000 PSIG	Needle Valve ¼" MPT
109-7504-CGA	0-40 PSIG	0-60 PSIG	0-4000 PSIG	¼" Tube Fitting
109-7505-CGA	0-40 PSIG	0-60 PSIG	0-4000 PSIG	Needle Valve ¼" MPT
109-7512-CGA	0-120 PSIG	0-200 PSIG	0-4000 PSIG	¼" Tube Fitting
109-7513-CGA	0-120 PSIG	0-200 PSIG	0-4000 PSIG	Needle Valve ¼" MPT
109-7520-CGA	0-200 PSIG	0-400 PSIG	0-4000 PSIG	¼" Tube Fitting
109-7521-CGA	0-200 PSIG	0-400 PSIG	0-4000 PSIG	Needle Valve ¼" MPT

Related Options

Options	Order No.	Description
Protocol Station	Add letter "M" after inlet	Convenient regulator wall mount, including tee, bracket, and flexible stainless steel pigtail with check valve in the inlet gland
Protocol Purge Station	Add letter "Q" after inlet	Convenient regulator wall mount with purge