



# 100 Series Regulators

## 109 Series Regulator

Single Stage

Forged Brass Body

Five-Port Configuration

PTFE-Lined Neoprene Diaphragm

The 109 Series regulators are intended for pressure control of general purpose laboratory gases where minor fluctuations in outlet pressure due to diminishing inlet supply pressure can be tolerated.



109-6504 shown

### Advanced Features

- Forged brass body  
Economical high purity design
- Pressure ranges 0-15 to 0-200 PSIG  
Broad range of applications

### Typical Applications

- Purging
- Pressure testing
- Blanketing
- Chamber pressurization

### 100 Series Advantage

- Capsule® seat  
Increased serviceability and life
- Teflon®-lined Neoprene diaphragm  
Sensitive to downstream conditions
- Forged body  
Durable, long-lasting construction
- Field-adjustable pressure limit  
Safeguard downstream equipment
- Integral relief valve  
Diaphragm and gauge protection
- High flow capacity  
Supply multiple user locations

### Materials

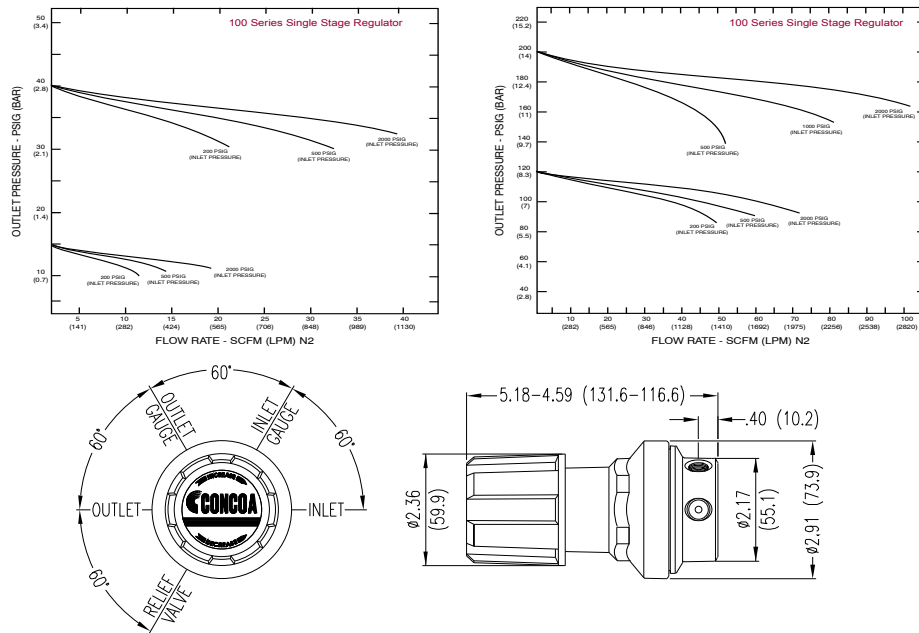
- Body  
Forged brass
- Bonnet  
Brass-plated die cast zinc
- Seat  
PTFE
- Filter  
10 micron sintered bronze
- Diaphragm  
PTFE-lined Neoprene
- Internal Seals  
PTFE

### Specifications

- Maximum Inlet Pressure  
3000 PSIG (210 BAR)
- Temperature Range  
-40°F to 140°F (-40°C to 60°C)
- Gauges  
2 1/2" diameter brass
- Ports  
1/4" FPT
- Helium Leak Integrity  
1 x 10<sup>-8</sup> scc/sec
- Cv  
0.2
- Weight (109-6513-580)  
3.3 lbs. (1.5 kg)

# 100 Series Regulators

## Technical Information



## Ordering Information

Stock No. (109 Series Single Stage)	Outlet Pressure	Outlet Gauge	Inlet Gauge	Outlet Assembly
109-6501-CGA	0-15 PSIG	0-30 PSIG	0-4000 PSIG	1/4" Tube Fitting
109-6502-CGA	0-15 PSIG	0-30 PSIG	0-4000 PSIG	Needle Valve 1/4" MPT
109-6504-CGA	0-40 PSIG	0-60 PSIG	0-4000 PSIG	1/4" Tube Fitting
109-6505-CGA	0-40 PSIG	0-60 PSIG	0-4000 PSIG	Needle Valve 1/4" MPT
109-6512-CGA	0-120 PSIG	0-200 PSIG	0-4000 PSIG	1/4" Tube Fitting
109-6513-CGA	0-120 PSIG	0-200 PSIG	0-4000 PSIG	Needle Valve 1/4" MPT
109-6520-CGA	0-200 PSIG	0-400 PSIG	0-4000 PSIG	1/4" Tube Fitting
109-6521-CGA	0-200 PSIG	0-400 PSIG	0-4000 PSIG	Needle Valve 1/4" MPT

## Related Options

Options	Order No.	Description
Protocol Station	Add letter "M" after inlet	Convenient regulator wall mount, including tee, bracket, and flexible stainless steel pigtail with check valve in the inlet gland
Protocol Purge Station	Add letter "Q" after inlet	Convenient regulator wall mount with purge