



200 Series Regulators

212 Series Regulator

Dual Stage

Chrome-Plated
Forged Brass Body

Five-Port Configuration

316L Stainless Steel Diaphragm

The 212 Series regulators are intended for primary pressure control of non-corrosive, high purity or liquefied gases (up to grade 4.5) for applications requiring constant pressure control and delivery regardless of supply pressure variations.



212-2331 shown

Advanced Features

- Chrome-plated forged brass body
Economical high purity design
- High flow capacity
Supply multiple user locations
- Pressure ranges 0-15 to 0-200 PSIG
Broad range of applications
- 3000 PSIG inlet pressure rating
Safe use with high pressure cylinders

Typical Applications

- Gas supply purging
- Gas system charging
- Fuel gas supply control
- Calibration gas control

200 Series Advantage

- Capsule® seat
Increased serviceability and life
- 316L stainless steel diaphragm
No inboard diffusion
- Forged body
Durable, long-lasting construction
- Field-adjustable pressure limit
Safeguard downstream equipment
- Large convoluted diaphragm
Smooth pressure changes
- Standard relief valve
Diaphragm and gauge protection

Materials

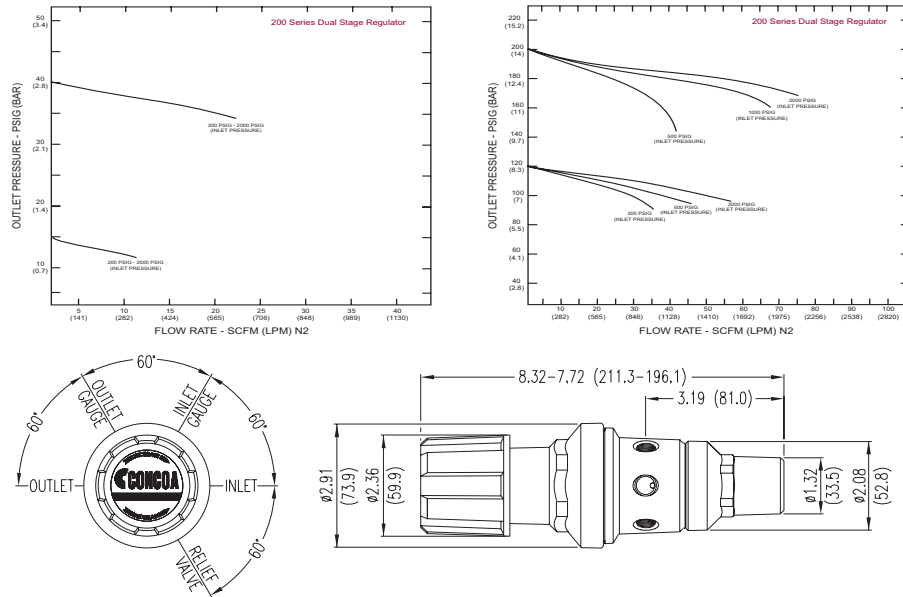
- Body
Chrome-plated forged brass
- Bonnet
Chrome-plated die cast zinc
- Seat
PTFE
- Filter
10 micron sintered bronze
- Diaphragm
316L stainless steel
- Internal Seals
PTFE

Specifications

- Maximum Inlet Pressure
3000 PSIG (210 BAR)
4500 PSIG (310 BAR) Optional
- Temperature Range
-40°F to 140°F (-40°C to 60°C)
- Gauges
2½" diameter chrome-plated brass
- Ports
¼" FPT
- Helium Leak Integrity
1 x 10⁻⁸ scc/sec
- Cv
0.28
- Weight (212-3331-580)
5.1 lbs. (2.3 kg)

200 Series Regulators

Technical Information



Ordering Information

212	A	B	C	D	-Inlet	Options	
Series 212	Outlet Pressure	Outlet Gauge	Inlet Gauge	Outlet Assemblies	Assembly Gauges	Inlet Connections	Installed Options
	1: 0-15	0-30 PSIG	0: None	0: ¼" FPT Port	0: Bare Body	000: ¼" FPT	A: Protocol Alarm Station (110V)
	2: 0-40	0-60 PSIG	3: 0-4000 PSIG	1: ¼" MPT	1: Standard Assembly (PSIG/kPa Gauges)	TF2: ⅙" Tube	B: Protocol Alarm Station (220V)
	3: 0-120	0-200 PSIG	5: 0-1000 PSIG	2: ¼" Tube Fitting	2: Standard Assembly (BAR/PSIG Gauges)	TF4: ¼" Tube	C: Protocol Switchover Station
	4: 0-200	0-400 PSIG	6: 0-400 PSIG	3: Diaphragm Valve ¼" Tube Fitting		TF6: ⅜" Tube	G: Protocol Switchover Station with Alarm (110V)
	5: 0-15*	0-30 PSIG with redline for acetylene use	8: 0-6000 PSIG*	4: Diaphragm Valve ¼" MPT		M06: 6mm Tube	H: Protocol Switchover Station with Alarm (220V)
	* Not available with 4500 PSIG Max Inlet		9: 0-600 PSIG	5: Needle Valve ¼" MPT		CGA DIN 477 BS 341 and others available	M: Protocol Station
		* Max inlet 4500 PSIG (310 BAR) with PCTFE seat Capsule®		6: ⅙" Tube Fitting			Q: Protocol Purge Station
				7: ⅜" Tube Fitting			T: Tee Purge
				8: Diaphragm Valve ⅙" Tube Fitting			
				9: Diaphragm Valve ¼" FPT			
				A: ⅜" BSP Right Hand Fitting			
				B: Diaphragm Valve ⅜" Tube Fitting			
				C: ⅜" BSP Left Hand Fitting			
				D: 6mm Brass Hose Barb (not available if A=4 or 5)			
				G: ⅙" Stainless Steel Tube Fitting			
				H: ¼" Stainless Steel Tube Fitting			
				M: 6mm Tube Fitting			
				S: Diaphragm Valve 6mm Tube Fitting			

200 Series