



300 Series Regulators

304 Series Regulator

Single Stage

Chrome-Plated Brass Barstock Body

Three-Port Configuration

316L Stainless Steel Diaphragm

The 304 Series regulators are intended for secondary pressure control of non-corrosive, high purity or liquefied gases or as point of use pressure control in high purity gas distribution systems.

Advanced Features

- Chrome-plated brass barstock body
Smooth surface finish
- Rear panel-mountable
Easy installation
- Pressure ranges 0-15 to 0-500 PSIG
Broad range of applications
- 3000 PSIG inlet pressure rating
Safe use with high pressure cylinders

Typical Applications

- Bulk gas distribution systems
- Gas and liquid chromatography
- High purity carrier gases
- Zero, span, and calibration gases
- High purity chamber pressurization
- Liquefied hydrocarbon gas control
- Control of cryogenic gases



304-3021 shown

300 Series Advantage

- Capsule® seat
Increased serviceability and life
- 316L stainless steel diaphragm
No inboard diffusion
- Low wetted surface area
Minimal purge requirements
- Field-adjustable pressure limit
Safeguard downstream equipment
- Convuluted diaphragm
Smooth pressure changes
- Compact design
Easily transported and integrated into systems

Materials

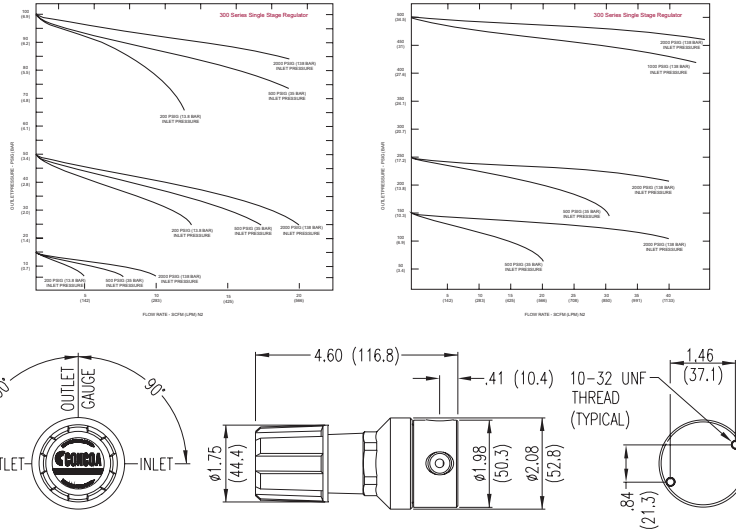
- Body
Chrome-plated brass barstock
- Bonnet
Chrome-plated die cast zinc
- Seat
PTFE
- Filter
10 micron sintered bronze
- Diaphragm
316L stainless steel
- Internal Seals
PTFE

Specifications

- Maximum Inlet Pressure
3000 PSIG (210 BAR)
- Temperature Range
-40°F to 140°F (-40°C to 60°C)
- Gauges
2" diameter chrome-plated
- Ports
1/4" FPT
- Helium Leak Integrity
1 x 10⁻⁸ scc/sec
- Cv
0.1
- Weight (304-2021-TF4)
1.7 lbs. (0.78 kg)

300 Series Regulators

Technical Information



Ordering Information

304	A	B	C	D	-Inlet	Options	
Series 304	Outlet Pressure	Outlet Gauge	Inlet Gauge	Outlet Assemblies	Assembly Gauges	Inlet Connections	Installed Options
	1: 0-15	30"-0-30 PSIG	0: None	0: 1/4" FPT Port	0: Bare Body	000: 1/4" FPT	M: Protocol Station
	2: 0-50	30"-0-100 PSIG		1: 1/4" MPT	1: Standard Assembly (PSIG/kPa Gauges)	TF2: 1/8" Tube	Q: Protocol Purge Station
	3: 0-100	30"-0-200 PSIG		2: 1/4" Tube Fitting	2: Standard Assembly (BAR/PSIG Gauges)	TF4: 1/4" Tube	
	4: 0-250	0-400 PSIG		3: Diaphragm Valve 1/4" Tube Fitting		TF6: 3/8" Tube	
	5: 0-500	0-1000 PSIG		4: Diaphragm Valve 1/4" MPT		M06: 6mm Tube	
	7: 0-150	30"-0-200 PSIG		5: Needle Valve 1/4" MPT			
				6: 1/8" Tube Fitting			
				7: 3/8" Tube Fitting			
				8: Diaphragm Valve 1/8" Tube Fitting			
				9: Diaphragm Valve 1/4" FPT			
				A: 3/8" BSP Right Hand Fitting			
				B: Diaphragm Valve 3/8" Tube Fitting			
				C: 3/8" BSP Left Hand Fitting			
				D: 6mm Brass Hose Barb (not available if A=4 or 5)			
				G: 1/8" Stainless Steel Tube Fitting			
				H: 1/4" Stainless Steel Tube Fitting			
				M: 6mm Tube Fitting			
				S: Diaphragm Valve 6mm Tube Fitting			