



# 300 Series Regulators

## 322 Series Regulator

Single Stage

316L Stainless Steel Barstock Body

Four-Port Configuration

316L Stainless Steel Diaphragm

The 322 Series regulators are intended for primary pressure control of ultrahigh purity and corrosive gases in applications where minor fluctuations in outlet pressure due to diminishing inlet supply can be tolerated.



322-2331 shown

### Advanced Features

- 316L stainless steel barstock body  
Increased corrosion resistance
- Rear panel-mountable  
Easy installation
- Pressure ranges 0-15 to 0-500 PSIG  
Broad range of applications

### Typical Applications

- Gas and liquid chromatography
- High purity carrier gases
- Zero, span, and calibration gases
- High purity chamber pressurization
- Liquefied hydrocarbon gas control
- Control of cryogenic gases

### 300 Series Advantage

- Capsule® seat  
Increased serviceability and life
- 316L stainless steel diaphragm  
No inboard diffusion
- Low wetted surface area  
Minimal purge requirements
- Field-adjustable pressure limit  
Safeguard downstream equipment
- Convuluted diaphragm  
Smooth pressure changes
- Compact design  
Easily transported and integrated into systems

### Materials

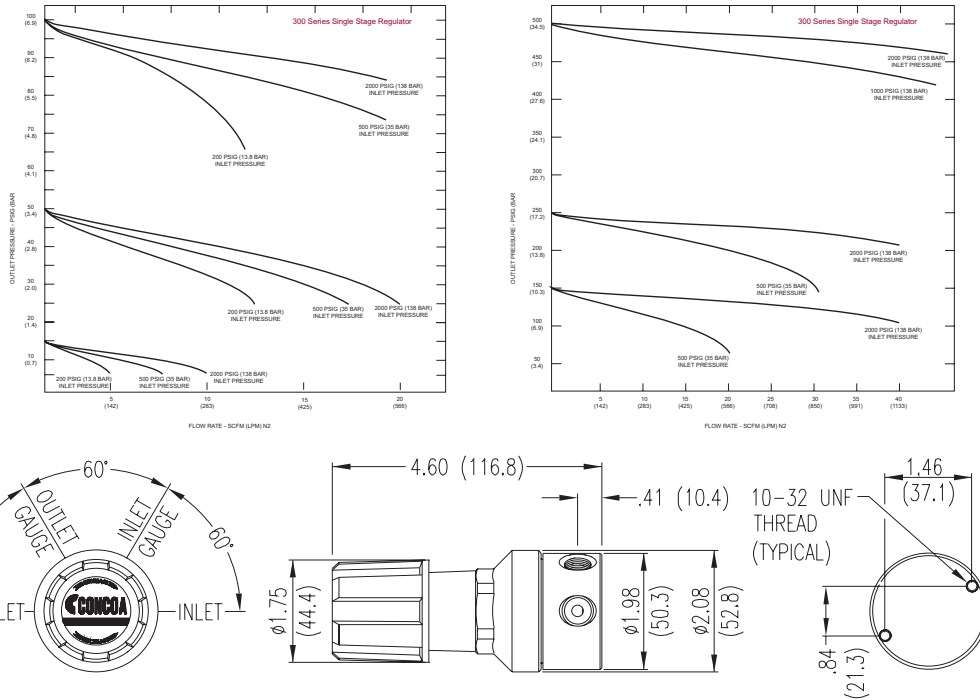
- Body  
316L stainless steel barstock
- Bonnet  
Chrome-plated die cast zinc
- Seat  
PTFE
- PTFE with 4500 PSIG inlet option
- Filter  
10 micron patented stainless steel multi-layer mesh
- Diaphragm  
316L stainless steel
- Internal Seals  
PTFE

### Specifications

- Maximum Inlet Pressure  
3000 PSIG (210 BAR)  
4500 PSIG (310 BAR) optional
- Temperature Range  
-40°F to 140°F (-40°C to 60°C)
- Gauges  
2" diameter chrome-plated case  
Stainless Steel internals
- Ports  
1/4" FPT
- Helium Leak Integrity  
1 x 10<sup>-8</sup> scc/sec
- Cv  
0.1
- Weight (322-2331-580)  
3.0 lbs. (1.34 kg)

# 300 Series Regulators

## Technical Information



## Ordering Information

322	A	B	C	D	-Inlet	Options	
Series 322	Outlet Pressure	Outlet Gauge	Inlet Gauge	Outlet Assemblies	Assembly Gauges	Inlet Connections	Installed Options
	1: 0-15*	30"-0-30 PSIG	0: None	0: ¼" FPT Port	0: Bare Body	000: ¼" FPT	A: Protocol Alarm Station (110V)
	2: 0-50	30"-0-100 PSIG	3: 0-4000 PSIG	1: ¼" MPT	1: Standard Assembly (PSIG/kPa Gauges)	TF2: ⅛" Tube	B: Protocol Alarm Station (220V)
	3: 0-100	30"-0-200 PSIG	5: 0-1000 PSIG	2: ¼" Tube Fitting	2: Standard Assembly (BAR/PSIG Gauges)	TF4: ¼" Tube	C: Protocol Switchover Station
	4: 0-250	0-400 PSIG	6: 0-300 PSIG	3: Diaphragm Valve ¼" Tube Fitting		TF6: ⅜" Tube	G: Protocol Switchover Station with Alarm (110V)
	5: 0-500	0-1000 PSIG	7: 0-400 PSIG	4: Diaphragm Valve ¼" MPT		M06: 6mm Tube	H: Protocol Switchover Station with Alarm (210V)
	7: 0-150	30"-0-200 PSIG	8: 0-6000 PSIG*	5: Needle Valve ¼" MPT		CGA DIN 477 BS 341 and others available	M: Protocol Station
	*Not available with 4500 PSIG maximum inlet pressure	*Maximum inlet pressure 4500 PSIG (310 BAR) with PCTFE Seat Capsule®	6: ⅛" Tube Fitting	7: ⅜" Tube Fitting			Q: Protocol Purge Station*
			8: Diaphragm Valve ⅙" Tube Fitting	9: Diaphragm Valve ¼" FPT			T: Tee Purge*
			9: Diaphragm Valve ¼" FPT	M: 6mm Tube Fitting			*Not available with 4500 PSIG max inlet pressure
			S: Diaphragm Valve 6mm Tube Fitting				

300 Series