



400 Series Regulators

426 Series Regulator

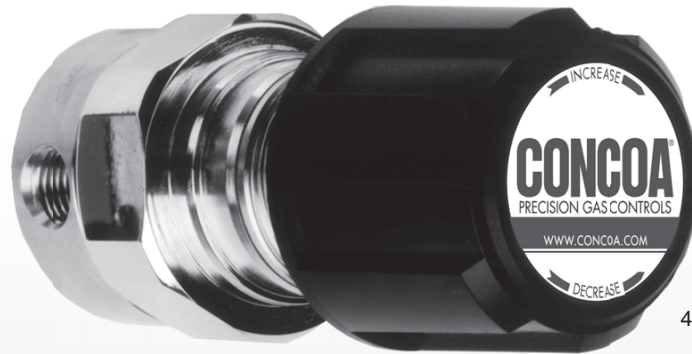
Low Dead Volume

316L Stainless Steel
Barstock Body

Two-Port
Configuration

316L Stainless Steel
Diaphragm

The 426 Series regulators are intended for secondary pressure control of ultra-high purity and corrosive gases or as point-of-use pressure control in ultra-high purity gas distribution systems.



426-3001 shown

Features

- 316L stainless steel barstock
Increased corrosion resistance
- Front and rear panel-mountable
Versatile system configuration
- Pressure ranges 0-15 to 0-500 PSIG
Broad range of applications
- 3000 PSIG inlet pressure rating
Safe use with high pressure cylinders

Typical Applications

- Bulk gas distribution systems
- Gas and liquid chromatography
- Ultra-high purity carrier gases
- Zero, span, and calibration gases
- High purity chamber pressurization
- Liquefied hydrocarbon gas control
- Control of cryogenic gases
- Corrosive gases

400 Series Advantage

- Metal-to-metal diaphragm seal
No possibility of gas contamination
- Capsule® seat
Increased serviceability and life
- 316L stainless steel diaphragm
No inboard diffusion
- Orientable captured vent capable
Safety in any installation
- Low wetted surface area
Minimal purge requirements
- Field-adjustable pressure limit
Safeguard downstream equipment
- Pipe away relief valve
Safely vents exhaust gases

Materials

- Body*
316L stainless steel barstock
- Bonnet*
Chrome-plated brass barstock
- Seat*
PTFE
- Filter*
10 micron patented stainless steel
multi-layer mesh
- Diaphragm*
316L stainless steel
- Internal Seals*
PTFE

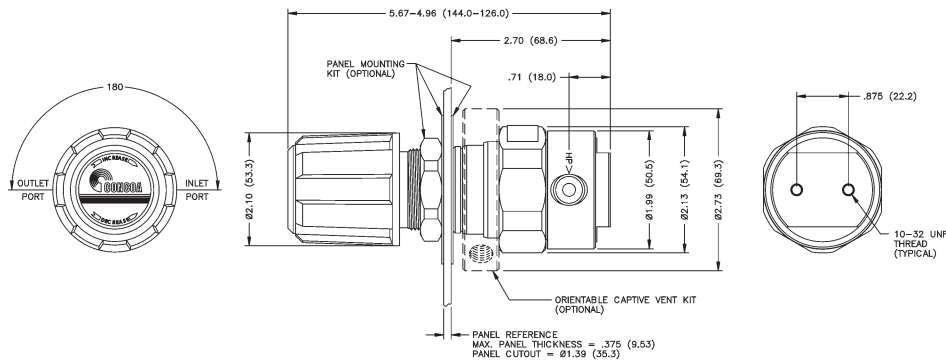
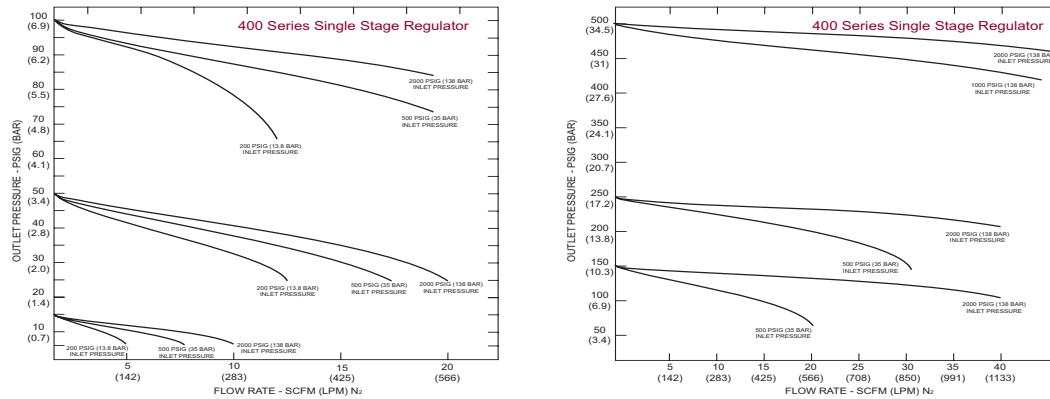
Specifications

- Maximum Inlet Pressure*
4500 PSIG (310 BAR)
- Temperature Range*
-40°F to 140°F (-40°C to 60°C)
- Ports*
1/4" FPT
- Helium Leak Integrity*
1 x 10⁻⁹ scc/sec
- Cv*
0.1

400 Series Regulators



Technical Information



Ordering Information

426	A	B	C	D	-Inlet	Options
Series 426	Outlet Pressure	Inlet Pressure	Outlet Assemblies	Assembly	Inlet Connections	Installed Options
	2: 0-50	8: 4500 PSIG (310 BAR)	0: 1/4" FPT Port	1: Standard Assembly	000: 1/4" FPT	A: Protocol Alarm Station (110V)
	3: 0-100		1: 1/4" MPT	4: Cleanroom Assembly	TF2: 1/8" Tube	B: Protocol Alarm Station (220V)
	4: 0-250	2: 1/4" Tube Fitting			TF4: 1/4" Tube	M: Protocol Station
	5: 0-500**		3: Diaphragm Valve 1/4" Tube Fitting		TF6: 3/8" Tube	Q: Protocol Purge Station
	7: 0-150		4: Diaphragm Valve 1/4" MPT		M06: 6mm Tube	S: Stainless Steel Bonnet
			5: Needle Valve 1/4" MPT		CGA DIN 477 BS 341 and others available	
			6: 1/8" Tube Fitting			
			7: 3/8" Tube Fitting			
			8: Diaphragm Valve 1/8" Tube Fitting			
			9: Diaphragm Valve 1/4" FPT			
			M: 6mm Tube Fitting			
			S: Diaphragm Valve 6mm Tube Fitting			

Related Options

Stock No.	Description
550-0002	Panel Mount Kit
550-0001	Captured Vent Kit
476-0002	Helium Leak Certification
550-0003	Passivation for Fluorine Service