



400 Series Regulators

451 Series Regulator

High Temperature Regulator

316L Stainless Steel

Single Stage

The 451 Series high temperature is designed to withstand the rigorous demands of high temperature ambient or process applications to 550 °F (288 °C). The corrosion and heat resistant design make it ideal for pressure control in petrochemical process systems or high temperature furnace applications.

Features

- 316L stainless steel barstock body
Increased corrosion resistance
- Pressure ranges 0 - 15 to 0 - 500 PSIG
Wide variety of applications
- Metal to metal seals
No possibility of gas contamination
- Capsule® Seat
Increased serviceability and life
- Temperature rating to 550 °F (288 °C)
High level of heat resistance

Typical Applications

- Petrochemical pressure control process systems
- Furnace applications



451-0000 shown

400 Series Advantage

- Metal-to-metal diaphragm seal
No possibility of gas contamination
- Capsule® seat
Increased serviceability and life
- 316L stainless steel diaphragm
No inboard diffusion
- Orientable captured vent capable up to 400 °F (200 °C)
Safety in any installation
- Low wetted surface area
Minimal purge requirements
- 10 micron sintered wire mesh inlet filter
Protects seat from being damaged by particulate

Materials

- Body
316L stainless steel barstock
- Bonnet
Stainless steel barstock
- Diaphragm
316L stainless steel
- Capsule® Seat
Arlon (PEEK)
- Filter
10 Micron patented multi layer stainless steel mesh

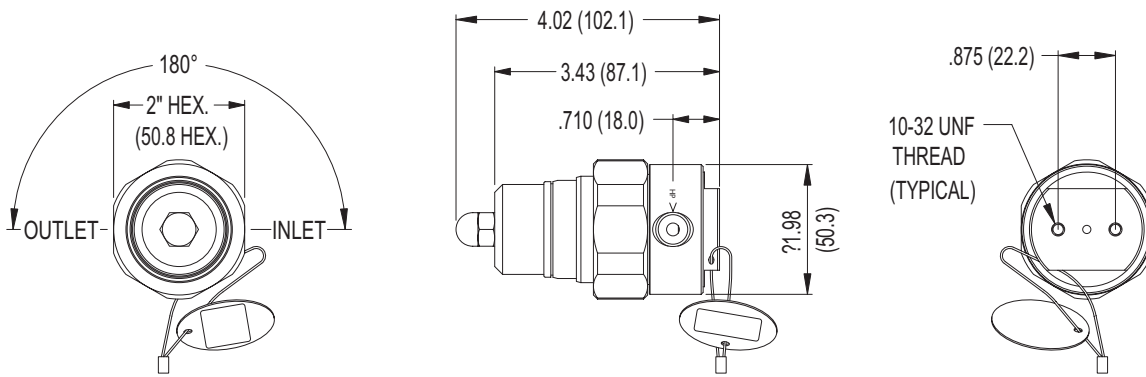
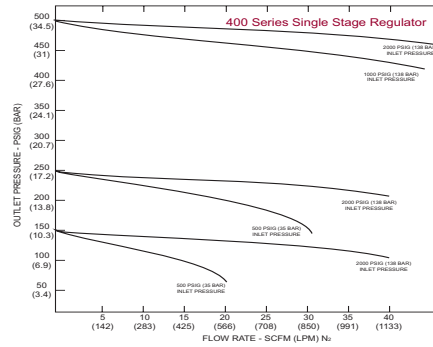
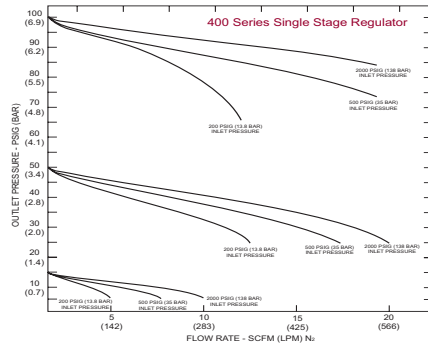
Specifications

- Maximum Inlet Pressure
3000 PSIG (210 BAR)
- Temperature Range
550°F (288°C)
- Inlet Connection
1/4" FPT
- Outlet Connection
1/4" FPT
- Helium Leak Integrity
1 x 10⁻⁹ scc/sec
- Weight 2.3 lbs. (1.04 kg)

400 Series Regulators



Technical Information



400 Series

Ordering Information

451	A	B	C	D	-Inlet
Series	Max Delivery Pressure	0	Outlet Connection	Assembly/Bare Body	Connections
451	1: 15 PSIG		0: 1/4" FPT	1: Standard Assembly	000: 1/4" FPT
	2: 50 PSIG		1: 1/8" Tube Fitting	4: Clean Room Install	TF2: 1/8" Tube
	3: 100 PSIG		2: 1/4" Tube Fitting		TF4: 1/4" Tube
	4: 250 PSIG		3: 3/8" Tube		TF6: 3/8" Tube
	5: 500 PSIG		M: 6mm Tube Fitting		M06: 6mm Tube
	7: 150 PSIG				