



400 Series Regulators

470 Series Regulator

Brass Barstock Body

316L Stainless Steel
Diaphragm

Back Pressure
Regulator

The 470 Series regulators are intended for upstream or inlet pressure control in non-corrosive, high purity applications. Typically, the 470 Series regulators are used to provide system pressure control, acting as a highly accurate relief valve.



470-3001 shown

Features

- Low crack to reseat deviation
Accurate pressure control
- Brass barstock body
Smooth surface finish
- Front and rear panel-mountable
Versatile system configuration

Typical Applications

- Fluid sampling systems
- Storage vessels
- Gas chromatography
- Pump pressure control
- Research and development
laboratories
- Compressors

400 Series Advantage

- Metal-to-metal diaphragm seal
No possibility of gas contamination
- 316L stainless steel diaphragm
No inboard diffusion
- Orientable captured vent capable
Safety in any installation
- Low wetted surface area
Minimal purge requirements
- Field-adjustable pressure limit
Safeguard upstream equipment

Materials

Body
Brass barstock

Bonnet
Brass barstock

Seat
Viton®

Diaphragm
316L stainless steel

Internal Seals
PTFE

Specifications

Maximum Inlet Pressure
250 PSIG (17 BAR)

Temperature Range
-40°F to 140°F (-40°C to 60°C)

Ports
1/4" FPT

Helium Leak Integrity
1 x 10⁻⁹ scc/sec

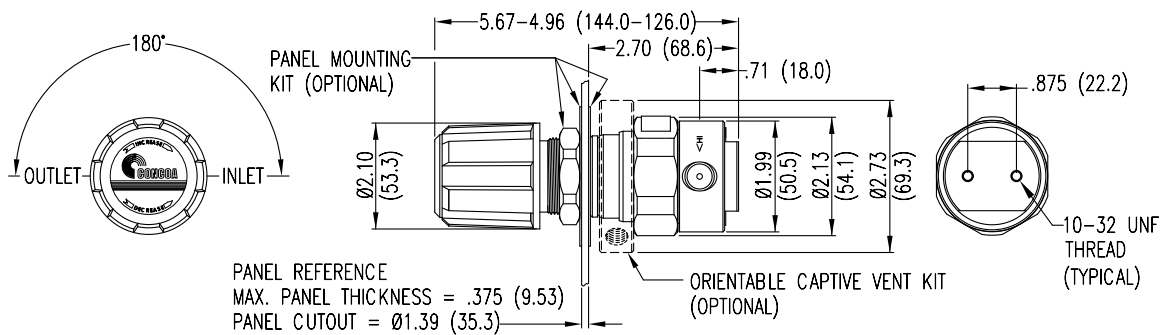
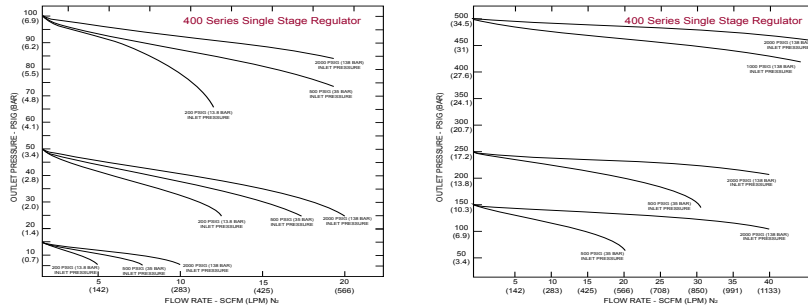
Cv
0.1

Weight (470-1021-TF4)
2.38 lbs. (1.08 kg)

400 Series Regulators



Technical Information



Ordering Information

470	A	B	C	D	-Inlet	Options
Series 470	Relief Pressure	Inlet Gauge	Outlet Assemblies	Assembly	Connections	Installed Options
	1: 0-15 PSIG	0: None	0: 1/4" FPT Port	1: Standard Assembly	000: 1/4" FPT	None
	2: 0-50 PSIG		2: 1/4" Tube Fitting		TF2: 1/8" Tube	
	3: 0-100 PSIG		6: 1/8" Tube Fitting		TF4: 1/4" Tube	
	4: 0-250 PSIG		7: 3/8" Tube Fitting		TF6: 3/8" Tube	
			M: 6mm Tube Fitting		M06: 6mm Tube	

Related Options

Options	Order No.	Description
Panel Mount Kit	550-0002	To mount the regulator using bonnet threads. Material: Nickel-plated brass
Captured Vent Kit	550-0001	360° orientation pipes vented gases to safe location in the event of diaphragm failure. Material: Nickel-plated brass
Helium Leak Certification	476-0002	Inboard Helium leak certification to less than 1 x 10 ⁻⁹ cc/sec