



# 400 Series Regulators

## 486 Series Regulator

Single Stage

Ultra-High Flow

316L Stainless Steel Barstock Body

Six-Port Configuration

316L Stainless Steel Diaphragm

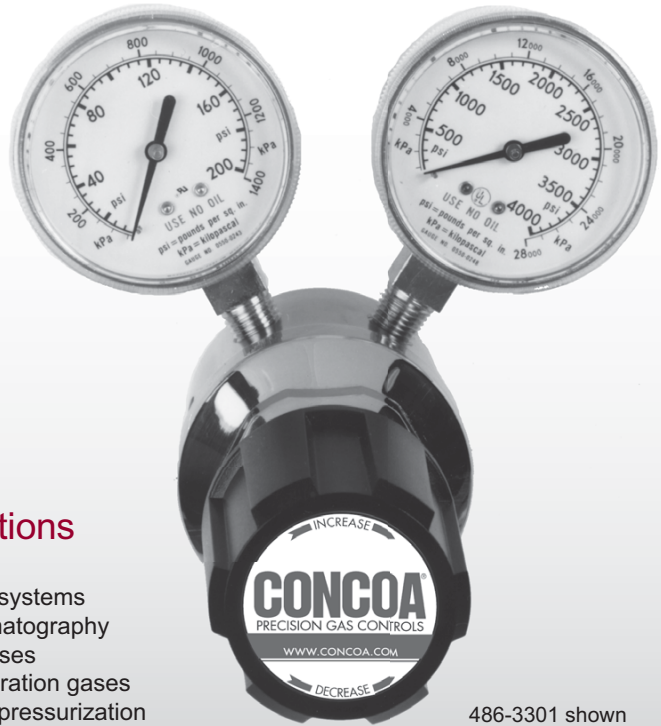
The 486 Series regulator applications are wide and varied including high flow purging, semiconductor manufacturing, manifold and line regulation.

### Features

- 316L stainless steel barstock body  
Smooth surface finish
- Rear panel-mountable  
Versatile system configuration
- Pressure ranges 0-15 to 0-250 PSIG  
Broad range of applications
- 3000 PSIG inlet pressure rating  
Safe use with high pressure cylinders

### Typical Applications

- Ultra-high Flow
- Bulk gas distribution systems
- Gas and liquid chromatography
- High purity carrier gases
- Zero, span, and calibration gases
- High purity chamber pressurization
- Liquefied hydrocarbon gas control
- Control of cryogenic gases
- Corrosive gas service



### 400 Series Advantage

- PTFE diaphragm seal  
No possibility of gas contamination
- ISOFLOW™ technology  
Internal equalization provides constant delivery pressure at high flows
- 316L stainless steel diaphragm  
No inboard diffusion
- Low wetted surface area  
Minimal purge requirements
- Field-adjustable pressure limit  
Safeguard downstream equipment
- Pipe away relief valve  
Safely vent exhaust gases

### Materials

- Body  
316L stainless steel barstock
- Bonnet  
Chrome-plated die cast zinc
- Seat  
PCTFE
- Filter  
40 micron 316L stainless steel
- Diaphragm  
316L stainless steel
- Internal Seals  
PTFE

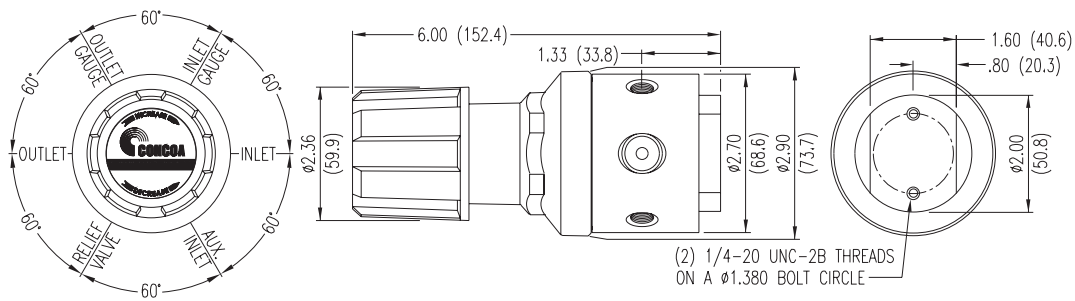
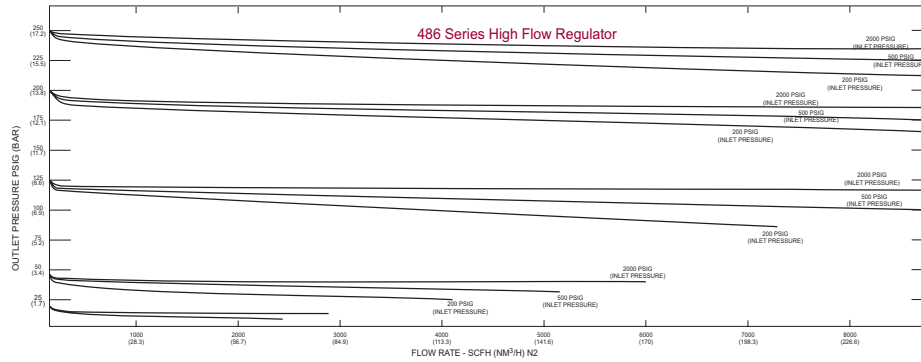
### Specifications

- Maximum Inlet Pressure  
3000 PSIG (210 BAR)
- Temperature Range  
-40°F to 140°F (-40°C to 60°C)
- Gauges  
2" diameter stainless steel
- Ports  
1/2" FPT (inlet/outlet)  
1/4" FPT (gauges/relief valve)
- Helium Leak Integrity  
1 x 10<sup>-8</sup> scc/sec
- Cv  
1.0
- Weight (486-3311-580)  
5.06 lbs. (2.30 kg)

# 400 Series Regulators



## Technical Information



400 Series

## Ordering Information

486	A	B	C	D	
Series 486	Outlet Pressure	Outlet Gauge	Inlet Gauge	Outlet Assemblies	Assembly/Gauges
	1: 0-15	30"-0-30 PSIG	0: None	0: 1/2" FPT Port	0: Bare Body
	2: 0-40	30"-0-60 PSIG	3: 0-4000 PSIG	1: 1/2" Tube Fitting	1: Standard Assembly (PSIG/kPa Gauges)
	3: 0-120	30"-0-200 PSIG	5: 0-1000 PSIG	5: Needle Valve 1/4" NPT	2: Standard Assembly (BAR/PSIG Gauges)
	4: 0-200	0-400 PSIG	6: 0-300 PSIG	P: 12mm Tube Fitting	
	5: 0-250	0-400 PSIG	7: 0-200 PSIG		
			9: 0-600 PSIG		