



400 Series Regulators

493 Series Regulator

Single Stage

Piston-Sensed

Ultra-High Pressure

316L Stainless Steel
Barstock Body

The 492 Series regulators are intended for primary pressure control of non-corrosive gases at a maximum inlet pressure of 6000 PSIG.

Advanced Features

- 316 stainless steel barstock body
Smooth surface finish
- Front and rear panel-mountable
Versatile system configuration
- Pressure ranges 0-750 to 0-6000 PSIG
Broad range of applications
- Six-port design
Flexible installation alternatives

Typical Applications

- Airplane strut charging
- Research and development laboratories
- Chemical manufacturing
- Aerospace hydraulic systems
- Pharmaceutical manufacturing
- Gauge calibration



493-5952 shown

Features

- Large piston sensor
Safely control pressures to 6000 PSIG
- Capsule® seat
Increased serviceability and life
- Low wetted surface area
Minimal purge requirements
- Field-adjustable pressure limit
Safeguard downstream equipment

Materials

- Body
316L stainless steel barstock
- Bonnet
304 stainless steel
- Seat
PCTFE (3000 and 4500 PSIG inlet)
Arlon® (PEEK) (6000 PSIG inlet)
- Piston
316L stainless steel
- Filter
10 micron stainless steel multi-layer wire mesh
- Internal Seals
Viton®

Specifications

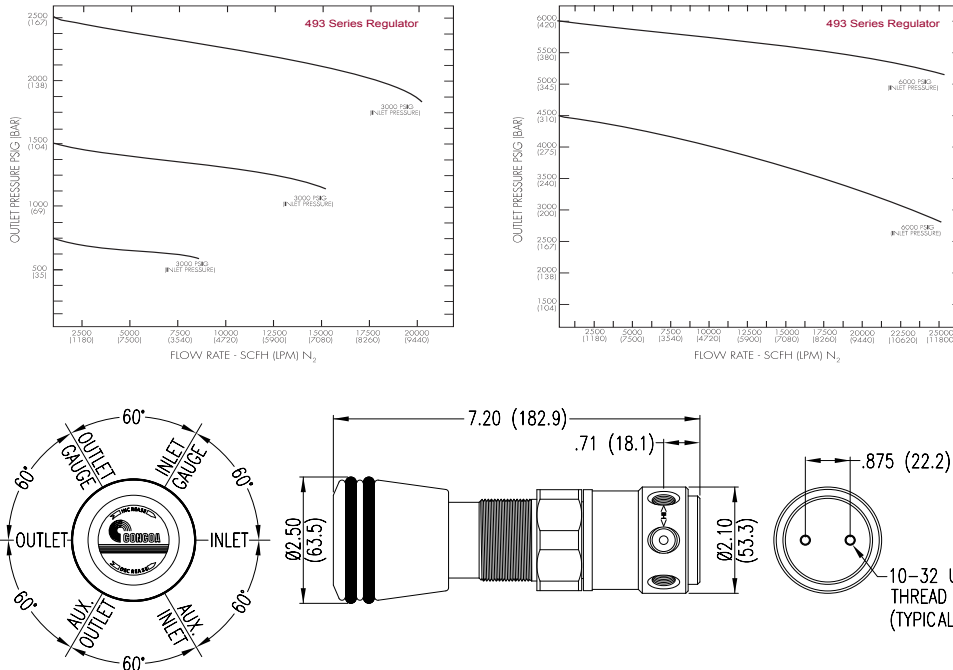
- Maximum Inlet Pressure
6000 PSIG (415 BAR)
- Temperature Range
-40°F to 140°F (-40°C to 60°C)
- Gauges
2½" diameter stainless steel
- Ports
¼" FPT
- Cv
0.1
- Weight (493-5951-677)
4.64 lbs. (2.10 kg)

Not for N₂O, or CO₂

400 Series Regulators



Technical Information



400 Series

Ordering Information

493	A	B	C	D	-Inlet	Options		
Series 493	Outlet Pressure	Outlet Gauge	Inlet Maximum	Inlet Gauge	Outlet Assemblies	Assembly Gauges	Inlet Connections	Installed Options
	1: 0-750	0-1000 PSIG	0: 6000 PSIG*	None	0: 1/4" FPT	0: Bare Body*†	CGA DIN 477 BS 341 and others available	A: Protocol Alarm Station (110V)
	2: 0-1500	0-4000 PSIG	3: 3000 PSIG	0-4000 PSIG	1: 1/4" MPT	1: Standard Assembly (PSIG/kPa Gauges)		B: Protocol Alarm Station (220V)
	3: 0-2500	0-4000 PSIG	8: 5500 PSIG	0-6000 PSIG	2: 1/4" Tube	2: Standard Assembly (BAR/PSIG Gauges)		C: Protocol Switchover Station
	4: 0-4500*	0-6000 PSIG	9: 6000 PSIG	0-10,000 PSIG	5: Needle Valve 1/4" MPT			G: Protocol Switchover Station with Alarm (110V)
	5: 0-6000†	0-10,000 PSIG			6: 1/8" Tube			H: Protocol Switchover Station with Alarm (210V)
					7: 3/8" Tube	*6000 PSIG maximum inlet only †B must be 3, 8 or 9.	M: Protocol Station	
					F: Needle Valve 1/4" Tube		Q: Protocol Purge Station (3000 PSIG maximum inlet only valid if B=3)	
					M: 6mm Tube			
	*Not available with 3000 PSIG maximum inlet pressure		* Only valid if D=1 or 2					
	†Only available with 6000 PSIG maximum inlet pressure							

Related Options

Options	Order No.	Description
Panel Mount Kit	550-0002	To mount the regulator using bonnet threads. Material: Nickel-plated brass

CRN OH 5216.5C