

## 53 Series Point-of-Use Panels

The 53 Series Point-of-Use Panels provide a modular design to mount and locate 300 series regulators at the point of use for high purity instrumentation or process gases. They are intended to provide final pressure control in gas distribution systems and are ideal for laboratory applications. The 53 Series are supplied with up to four high-purity regulators with rear entry inlet ports and diaphragm outlet valves. Five delivery pressure ranges can be individually selected for each regulator station 0-15 psig (0-1 Bar) to 0-200 psig (0-14 Bar).



53S-3000-001 Shown



53C-3330-001 Shown

### Typical Applications

- Bulk gas distribution systems
- Gas and liquid chromatography
- High purity carrier gases
- Zero, span, and calibration gases
- High purity chamber pressurization
- Liquefied hydrocarbon gas control
- Control of cryogenic gases
- EPA protocol standards

### Features

- High-purity 307 or 327 Series regulators ensure gas purity
- Modular Design provides flexibility in installation.
- Rear entry regulator inlet ports allow for piping to be installed behind the panel.
- Five Individually Selectable Pressure ranges 0-15 to 0-200 psig
- 14 Gauge Stainless Steel Panel provides clean flexible installation
- Stainless steel diaphragm—no inboard diffusion.
- High-purity diaphragm outlet valve provides gas flow control and positive shut-off.

### Materials

Regulator and Valve	
Body	316L Stainless Steel or Chrome-Plated Brass Barstock
Bonnet	Chrome-plated die cast Zinc
Seats	PTFE Regulator/PCTFE Valve
Filter	10 micron patented Stainless Steel
Mesh or	Sintered
Bronze	
Diaphragm	316L Stainless Steel
Internal Seals	

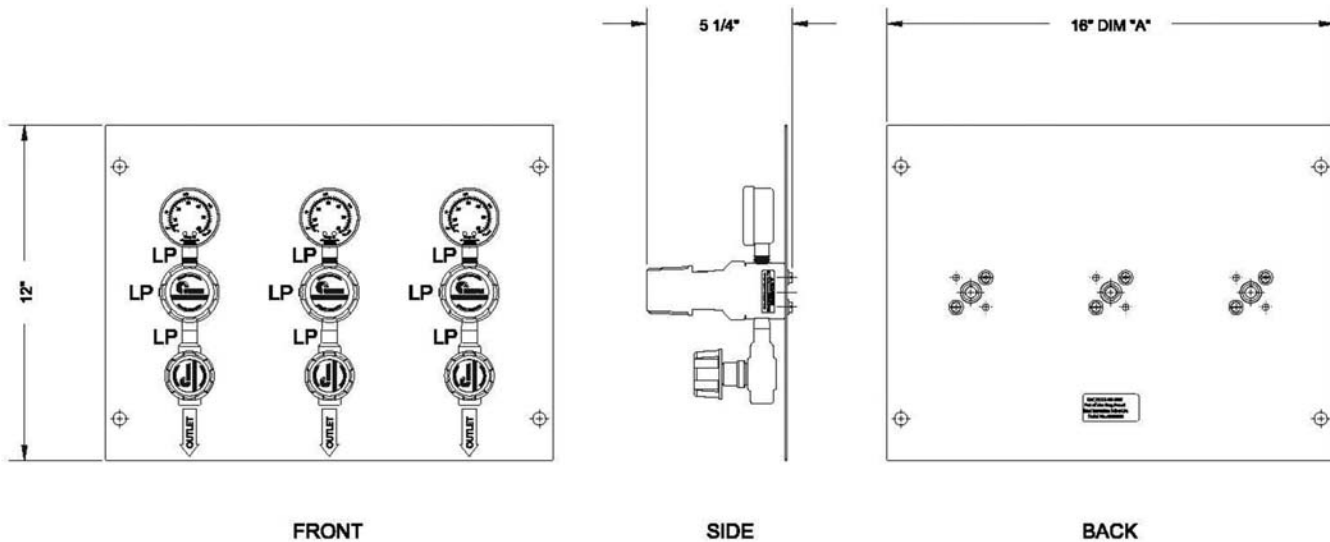
### Specifications

Maximum Inlet Pressure	3000 psig (207 bar)
Operating Temp. Range	-40°F to 140°F (-40°C to 60°C)
Flow Coefficient	Cv = 0.1
Inlet/Outlet Connection:	1/4" NPT Female
Gauges	2" Chrome Plated Case 53C Chrome Plated stem/ phosphor bronze tube 53S Stainless Steel stem and tube
Panel	14-gauge 304 Stainless Steel

# 500 Series Distribution Systems



## Installation Dimensions



### 300 SERIES REGULATORS

Number of Stations	Length "Dim A"
1	6"
2	11"
3	16"
4	21"

## Ordering Information

53	Material	Station 1	Station 2	Station 3	Station 4	-001
Series 53		Outlet Pressure/(Outlet Gauge)	Outlet Pressure/(Outlet Gauge)	Outlet Pressure/(Outlet Gauge)	Outlet Pressure/(Outlet Gauge)	Options
	C: Chrome-Plated Brass 307 Series Regulators	1: 0-15 psig / (0-30 psig)/KPA	1: 0-15 psig / (0-30 psig)/KPA	1: 0-15 psig / (0-30 psig)/KPA	1: 0-15 psig / (0-30 psig)/KPA	Contact CONCOA for available options.
	S: 316L Stainless Steel 327 Series Regulators	A: 0-1 BAR/ (0-2 BAR)/psig	A: 0-1 BAR/ (0-2 BAR)/psig	A: 0-1 BAR/ (0-2 BAR)/psig	A: 0-1 BAR/ (0-2 BAR)/psig	
		2: 0-30 psig / (0-60 psig)/KPA	2: 0-30 psig / (0-60 psig)/KPA	2: 0-30 psig / (0-60 psig)/KPA	2: 0-30 psig / (0-60 psig)/KPA	
		B: 0-2 BAR/ (0-4 BAR)/psi	B: 0-2 BAR/ (0-4 BAR)/psi	B: 0-2 BAR/ (0-4 BAR)/psi	B: 0-2 BAR/ (0-4 BAR)/psi	
		3: 0-50 psig / (0-100 psig)/KPA	3: 0-50 psig / (0-100 psig)/KPA	3: 0-50 psig / (0-100 psig)/KPA	3: 0-50 psig / (0-100 psig)/KPA	
		C: 0-3.5 BAR/ (0-7 BAR)/psi	C: 0-3.5 BAR/ (0-7 BAR)/psi	C: 0-3.5 BAR/ (0-7 BAR)/psi	C: 0-3.5 BAR/ (0-7 BAR)/psi	
		5: 0-100 psig / (0-200 psig)/KPA	5: 0-100 psig / (0-200 psig)/KPA	5: 0-100 psig / (0-200 psig)/KPA	5: 0-100 psig / (0-200 psig)/KPA	
		E: 0-7 BAR/ (0-14 BAR)/psig	E: 0-7 BAR/ (0-14 BAR)/psig	E: 0-7 BAR/ (0-14 BAR)/psig	E: 0-7 BAR/ (0-14 BAR)/psig	
		6: 0-200 psig / (0-400 psig)/KPA	6: 0-200 psig / (0-400 psig)/KPA	6: 0-200 psig / (0-400 psig)/KPA	6: 0-200 psig / (0-400 psig)/KPA	
		F: 0-14 BAR/ (0-28 BAR)/psig	F: 0-14 BAR/ (0-28 BAR)/psig	F: 0-14 BAR/ (0-28 BAR)/psig	F: 0-14 BAR/ (0-28 BAR)/psig	