



500 Series Distribution Systems

537 Series AutoSwitch GL

The 537 AutoSwitch GL is a continuous gas delivery system for high purity gas service that automatically changes cylinder or bank priority from a cryogenic sources to a reserve bank of high pressure cylinders without transmitting pressure fluctuations to the use line.

Advanced Features

- *400 Series 316L Stainless Components Capsule® seat*
- *Metal to metal seals*
No possibility of gas contamination
- *Integral Line Regulator*
Stable line pressure during change over
- *Variable Line Pressure*
Line pressure changeable on site
- *Preset Switching Pressure*
Prevents tampering or adjustment
- *Integral Manifold System*
Easy installation



537-0000 shown

Ask About Our

**EXTENDED
WARRANTY**

On This CONCOA Product

Remote Alarm*

Providing audible and visible notification of cylinder depletion, one Advantium 8 remote alarm can monitor and power up to four switchover stations.

Intrinsic Safety Barriers

Safe use with flammable gases or in hazardous areas (class 1, division 1, group A, B, C, or D)

Relay Output

Easy integration with other alarm systems

Telephone Dialer*

Notify multiple off-site locations of the need to change depleted cylinders

Computer Interface

Serial communication through RS-232 port

*Optional

Materials

- Priority Valve
316L stainless steel barstock
- Line Regulator
316L stainless steel barstock
- Diaphragms
316L stainless steel
- Enclosure
Acrylic powder-coated steel
- Tubing and Fittings
316 stainless steel
- Internal Seats and Seals
PTFE
- Pressure Gauges and Switches
316 stainless steel
- Check Valves
316 stainless steel with Viton® seal

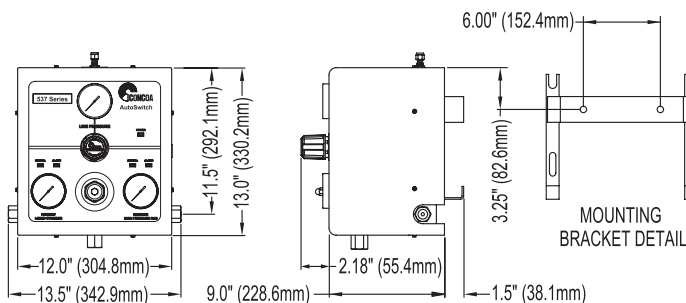
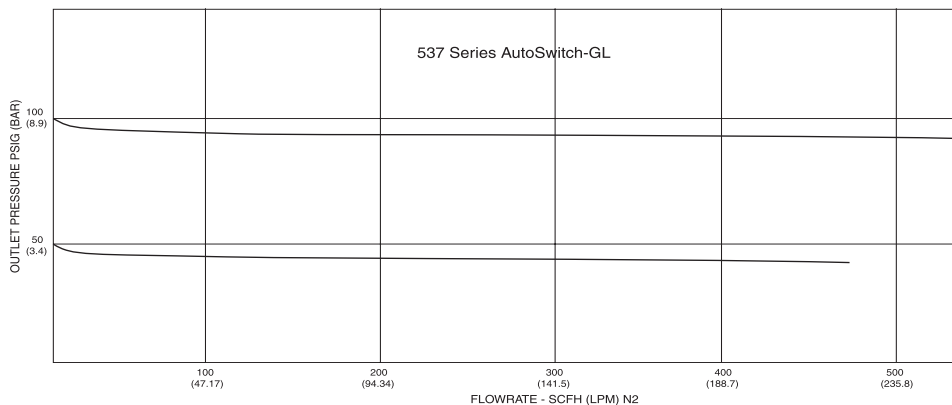
Specifications

- Maximum Inlet Pressure
3000 PSIG (210 BAR)
- Temperature Range
-40°F to 140°F (-40°C to 60°C)
- Maximum Flow (100 PSIG)
400 scfh (190 lpm)
- Inlet Connection
½" FPT
- Outlet Connection
¼" stainless steel compression tube
- Helium Leak Integrity
1 x 10⁻⁸ scc/sec
- Weight
40 lbs. (18 kg)
- See page 32, 33 for manifold specifications

500 Series Distribution Systems



Flow Performance Curves



Ordering Information

537	A	B	C	D	-CON
Series 537	Outlet Pressure	Liquid Cylinders (Primary)	High Pressure (Reserve)	Assembly	Pigtail
	2: 0-50 PSIG	0: No Inlet Connection	0: No Inlet Connection	1: Without Alarm Capability	Please specify inlet connection (if applicable)
	3: 0-100 PSIG	1: One Cylinder*	1: One Cylinder*	4: With Alarm Capability* (Alarm Sold Separately)	CGA DIN 477 BS 341 and others available
		2: Two Cylinders†	2: Two Cylinders†	*Intrinsic safety barriers are required for flammable gas service or for use in hazardous environments.	
		3: Three Cylinders†	3: Three Cylinders†		
		4: Four Cylinders†	4: Four Cylinders†		
		* Includes 36" flexible pigtail and diaphragm valve	5: Five Cylinders†		
		† Each manifold header includes 36" flexible pigtail, manifold extensions and mounting hardware	6: Six Cylinders†		
			* Includes 36" flexible pigtail and diaphragm valve		
			† Each manifold header includes 36" flexible pigtail, manifold extensions and mounting hardware		

Options

Option	Order Number	Description
Remote Alarm	Advantium Series	Provides audible and visible notification of a depleted supply bank to a remote location (See page 44)