

54 Series Point-of-Use Panels

The 54 Series Point-of-Use panels provide a modular design to mount and locate 400 Series regulators at the point of use for ultra high purity instrumentation or process gases. They are intended to provide final pressure control in gas distribution systems and are ideal for laboratory applications. The 54 Series are supplied with up to four ultra high-purity regulators with rear entry inlet ports and diaphragm outlet valves. Six delivery pressure ranges can be individually selected for each regulator station 0-15 psig (0-1 Bar) to 0-500 psig (0-35 bar).



54B-3000-001 Shown

Typical Applications

- Bulk gas distribution systems
- Gas and liquid chromatography
- High purity carrier gases
- Zero, span, and calibration gases
- High purity chamber pressurization
- Liquefied hydrocarbon gas control
- Control of cryogenic gases
- EPA protocol standards



54S-3330-001 Shown

Features

- Ultra High-purity 435 or 445 Series regulators ensure gas purity
- Modular Design provides flexibility in installation.
- Rear entry regulator inlet ports allow for piping to be installed behind the panel.
- Five Individually Selectable Pressure ranges 0-15 to 0-500 psig
- 14 Gauge Stainless Steel Panel provides clean corrosion resistant installation
- Stainless steel diaphragm—no inboard diffusion.
- High-purity diaphragm outlet valve provides gas flow control and positive shut-off.

Materials

Regulator and Valve
Body
316L Stainless Steel or Brass
Barstock
Bonnet
Chrome-plated Brass Barstock
Seats
PTFE on regulator
PCTFE on Valve
Filter
10 micron patented Stainless Steel
Mesh or
Sintered Bronze
Diaphragm
316L Stainless Steel
Internal Seals
PTFE

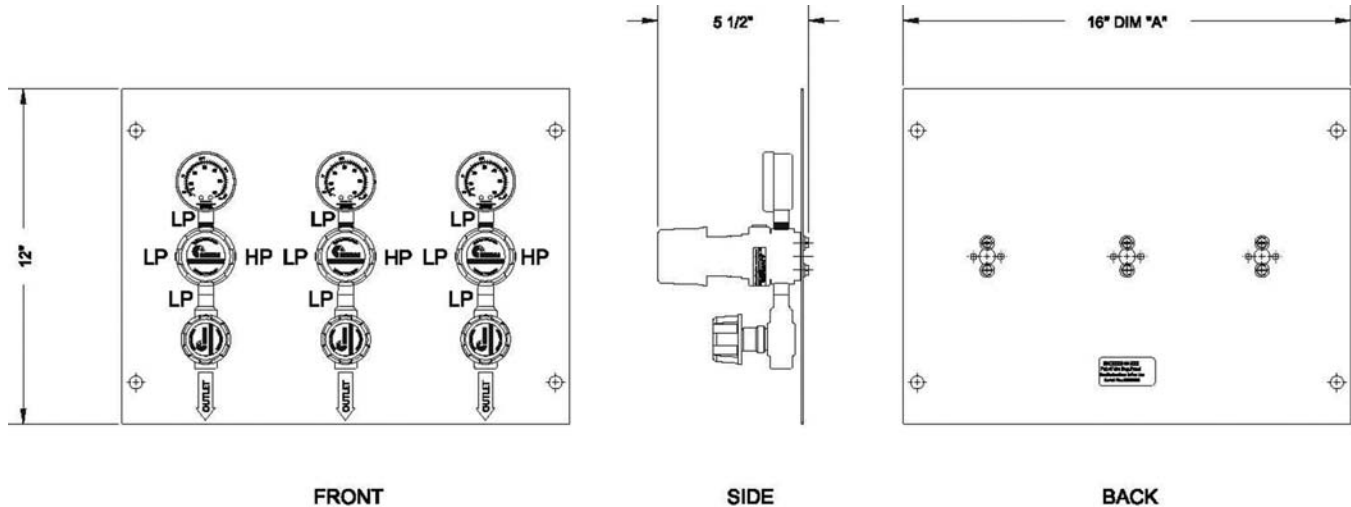
Specifications

Maximum Inlet Pressure
3000 psig (207 bar)
Operating Temp. Range
-40°F to 140°F (-40°C to 60°C)
Flow Coefficient
Cv = 0.1 (Max outlet 50 psig or below)
Cv=0.2 (Max outlet above 50 psig)
Inlet/Outlet Connection:
1/4" NPT Female
Gauges
2" Brass or Stainless Steel Case
54B Brass stem/phosphor bronze tube
54S Stainless Steel Stem and tube
Panel
14-gauge 304 Stainless Steel

500 Series Distribution Systems



Installation Dimensions



400 SERIES REGULATORS

Number of Stations	Length "Dim A"
1	6"
2	11"
3	16"
4	21"

Ordering Information

54	Material	Station 1	Station 2	Station 3	Station 4	-001
Series 54		Outlet Pressure/(Outlet Gauge)	Outlet Pressure/(Outlet Gauge)	Outlet Pressure/(Outlet Gauge)	Outlet Pressure/(Outlet Gauge)	Options
	B: Brass 435 Series Regulators	1: 0-15 psig / (30-0-30 psig)	1: 0-15 psig / (30-0-30 psig)	1: 0-15 psig / (30-0-30 psig)	1: 0-15 psig / (30-0-30 psig)	Contact CONCOA for available options.
	S: 316L Stainless Steel 445 Series Regulators	A: 0-1 BAR / (2-0-2 BAR)	A: 0-1 BAR / (2-0-2 BAR)	A: 0-1 BAR / (2-0-2 BAR)	A: 0-1 BAR / (2-0-2 BAR)	
		2: 0-50 psig / (30-0-100 psig)	2: 0-50 psig / (30-0-100 psig)	2: 0-50 psig / (30-0-100 psig)	2: 0-50 psig / (30-0-100 psig)	
		B: 0-3.5 BAR / (2-0-7 BAR)	B: 0-3.5 BAR / (2-0-7 BAR)	B: 0-3.5 BAR / (2-0-7 BAR)	B: 0-3.5 BAR / (2-0-7 BAR)	
		3: 0-100 psig / (30-0-200 psig)	3: 0-100 psig / (30-0-200 psig)	3: 0-100 psig / (30-0-200 psig)	3: 0-100 psig / (30-0-200 psig)	
		C: 0-7 BAR / (2-0-14 BAR)	C: 0-7 BAR / (2-0-14 BAR)	C: 0-7 BAR / (2-0-14 BAR)	C: 0-7 BAR / (2-0-14 BAR)	
		4: 0-250 psig / (0-400 psig)	4: 0-250 psig / (0-400 psig)	4: 0-250 psig / (0-400 psig)	4: 0-250 psig / (0-400 psig)	
		D: 0-16.5 BAR / (0-26.6 BAR)	D: 0-16.5 BAR / (0-26.6 BAR)	D: 0-16.5 BAR / (0-26.6 BAR)	D: 0-16.5 BAR / (0-26.6 BAR)	
		5: 0-500 psig / (0-1000 psig)	5: 0-500 psig / (0-1000 psig)	5: 0-500 psig / (0-1000 psig)	5: 0-500 psig / (0-1000 psig)	
		E: 0-33.5 BAR / (0-66.5 BAR)	E: 0-33.5 BAR / (0-66.5 BAR)	E: 0-33.5 BAR / (0-66.5 BAR)	E: 0-33.5 BAR / (0-66.5 BAR)	
		7: 0-150 psig / (30-0-200 psig)	7: 0-150 psig / (30-0-200 psig)	7: 0-150 psig / (30-0-200 psig)	7: 0-150 psig / (30-0-200 psig)	
		F: 0-10 BAR / (2-0-14 BAR)	F: 0-10 BAR / (2-0-14 BAR)	F: 0-10 BAR / (2-0-14 BAR)	F: 0-10 BAR / (2-0-14 BAR)	