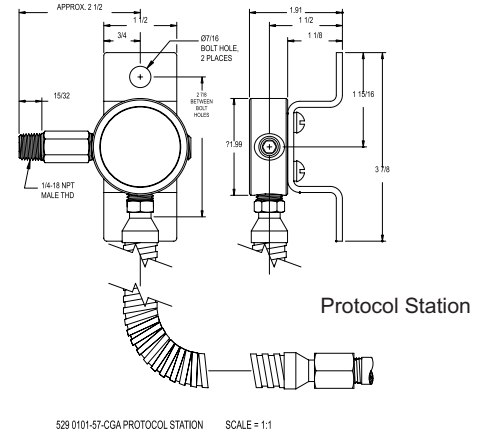


500 Series Distribution Systems

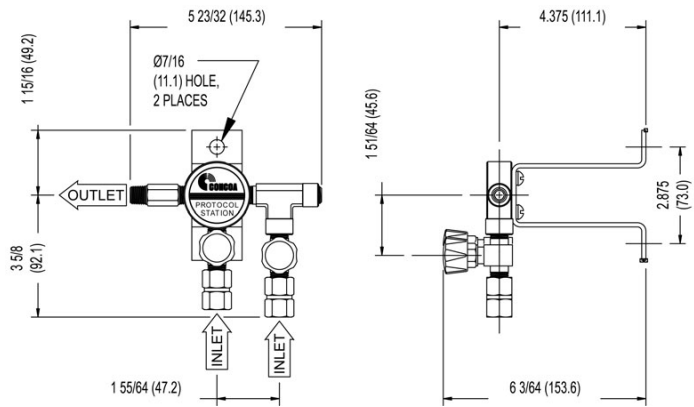


Mounting Bracket Technical Information

2-Inch Bracket for Single Stage Regulators



4-Inch Bracket for Single or Dual Stage Regulators



529-0157 Series Protocol Switchover Alarm Station Shown

Universal 400 & 300 Series Regulator Mounting Kit (Stock No. 835-0204)

