

Accessories



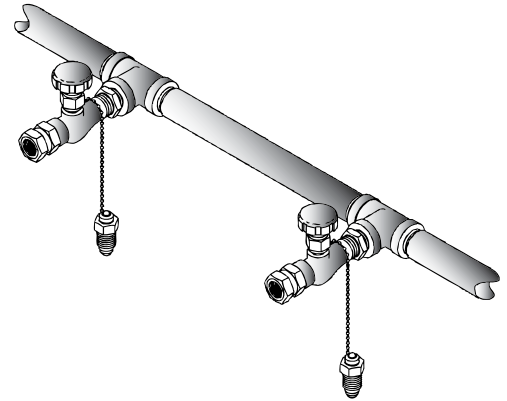
Hardware/Fittings



801-0257 Shown

Station Outlet Valves

Used in low pressure distribution systems to insure line pressure is maintained. These valves have 1/4" NPT male inlets for universal mounting. They have high flow capacity, up to 200 CFH Argon at 30 PSIG.



Plug and Chain assembly is a separate option.

Gas Service	Service Stock No.	Inlet	Outlet	Max Rating (PSI)	Plug and Chain (To Cap Valve)
Oxygen	801-0257	1/4" NPT Ext.	9/16"-18 RH Ext.	250	801-0265
Fuel Gas	801-0258		9/16"-18 LH Ext.		801-0266
Inert Gas	801-0259		5/8"-18 RH Int.		801-0267
General	801-0379		1/4" NPT Int.		--



Flow Adapters

Used for pipeline and fixed-pressure regulators, these flow Adapters eliminate the need for flowmeters. The 1/4" NPT male inlets enable them to be used with station valves or in regulator outlets. Flow Adapters come in a wide range of orifice sizes assuring maximum adaptability of flows.

Orifice Size	Stock No.	Argon Flow* CFH	Helium Flow * CFH	CO2 Flow* CFH	AG-75** Flow* CFH	Nitrogen Flow* CFH
0.010	830-1977	4	12	3.5	6.6	4.5
0.014	830-1978	6.3	20	6	11	7.6
0.016	830-1979	8	25	7.5	14	9.5
0.018	830-1971	10	31.5	9.5	17.5	12
0.02	830-1984	11.4	36	10.5	20	13.5
0.021	830-1972	15	47.5	14.3	26	18
0.025	830-1973	20	63.2	19	35	24
0.028	830-1985	22.5	72	21	40	27
0.031	830-1974	30	95	28	52.5	36
0.035	830-1975	40	126.5	38	60	47.5
0.04	830-1976	50	158	47.5	88	60



Regulator Reverse Flow Check Valve

Prevent the reverse flow of gases into regulators. These valves have high flow capacity and can be used in cutting up to 14 inches and heavy heating up to 1000 CFH. The unique poppet design eliminates flame flutter.

Service	Stock No.	Regulator End	Hose End
Oxygen "B"	830-4199	1/4" NPT Male	9/16" - 18 RH Ext.
Fuel "B"	830-4200	1/4" NPT Male	9/16" - 18 LH Ext.

CONCOA

1501 Harpers Road • Virginia Beach, VA 23454 USA

1.800.225.0473 • 757.422.8330 • Fax: 757.422.3125 • www.concoa.com