

629 Series MicroManifold



629-1063-580 Shown

The 629 Series MicroManifold is a flexible gas distribution system that can be configured as a gas or vent manifold. Configured as a gas manifold, the 629 offers excellent gaseous flow capacity from either liquid cans or high-pressure cylinders to a CONCOA pressure control device. Configured as a vent manifold, the 629 equalizes the head space pressure of each liquid cylinder manifolded together. This allows each cylinder to withdraw equally and operate at maximum flow capacity with minimal losses.

Advanced Features

- **Vent Manifold Excess Flow Orifices**
Prevents pigtails from whipping
- **Safety Disk**
Protects manifold from over-pressurization
- **Compact Modular Design**
Provides simple field expandability
- **Multiple Cylinder Hose Options**
Universal gas compatibility
- **Integrated 1/2" MPT Connector**
Reduces potential leak sites
- **Flexible Design**
Can be used with a 600 Series switchover or a 623 Series delivery system

Applications

Cryogenic Laser Assist

Nitrogen
Oxygen

High Flow Blanketing

Carbon dioxide
Inert gases

Gas Blending

Argon primary supply

Materials

Brass Barstock Body

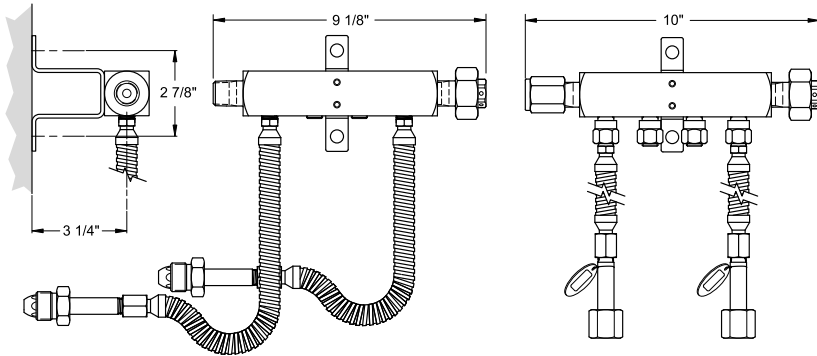
Specifications

Maximum Inlet Pressure
600 psi (41BAR)
Temperature Range
-320 F to 165 F
Inlet Connections
CGA 295
CGA 440
Outlet Connections
1/2" F-NPT
Weight (Manifold & bracket)
14.5 lbs. (6.58kg.)

Manifolds



System Diagram



A	B	C	D	F
Series	Manifold Type	Pigtail Style	Cyl./Side	Inlet
629		0: No Pigtails		
1: MicroManifold (No Gauges)	1: Simplex (left bank)	1: 36" Rigid Brass**	1: 1 Cyl.	Please specify inlet connection Use -001 for pigtail options 0, CGA DIN 477 BS 341 and others available
2: Vent MicroManifold (No Gauges)	2: Duplex (right and left bank)	2: 24" Rigid Copper**	2: 2 Cyl.	
3: MicroManifold (600 PSI/BAR Gauges)	3: Simplex (right bank with P/S)*	3: 72" Flexible Stainless Steel Core and Armor Cased**	3: 3 Cyl.	
4: MicroManifold* (600 PSI/BAR P/S Gauges)	4: Simplex (left bank with P/S)*	4: 24" Flexible Stainless Steel-braided with PTFE lining**	4: 4 Cyl.	
5: MicroManifold (4,000 PSI/BAR Gauges)	5: Duplex (right and left bank w/ P/S)*	5: 36" Flexible Stainless Steel Core and Armor Cased**	5: 5 Cyl.	
6: MicroManifold* (4,000 PSI/BAR P/S Gauges)		6: 36" Flexible Stainless Steel-braided with PTFE lining**	6: 6 Cyl.	
7: MicroManifold (6,000 PSI/KPA Gauges)		7: 24" Flexible Stainless Steel Core and Armor Cased**	7: 7 Cyl.	
8: MicroManifold* (6,000 PSI/BAR Gauges)		8: 36" Rigid Brass with Arrestor	8: 8 Cyl.	
		9: 72" Flexible Stainless Steel-braided with PTFE lining**		
		A: 72" Flexible Stainless Steel-braided with PTFE lining Inert or CO ₂ ††		
		B: 72" Flexible Stainless Steel-braided with PTFE lining Oxygen††		
		C: 24" Flexible Stainless Steel-braided with PTFE Core**		
		D: 36" Flexible Stainless Steel-braided with PTFE Core**		
		E: 72" Flexible Stainless Steel-braided with PTFE Core**		
		K: 72" Flexible Stainless Steel Core and Armor Cased 4,500 PSI†		
		L: 36" Flexible Stainless Steel Core and Armor Cased 4,500 PSI†		

Key:
 * Required for Alarm Capability
 ** Valid with A=1,3,4,5 and 6
 † Valid with A=1,7 and 8
 †† Valid with A=2

Related Options

Option	Stock No.	Description
Burst Disk Kit	829-9960	½" MPT replacement burst disk kit
Gas Extension Kit	829-9961	Four cylinder manifold extension block with mounting hardware
Vent Extension Kit	829-9962	Four cylinder vent manifold extension block with mounting hardware
Floor Stand	830-7437	Single manifold floor stand provides support for up to two consecutive manifold extensions

Manifolds